



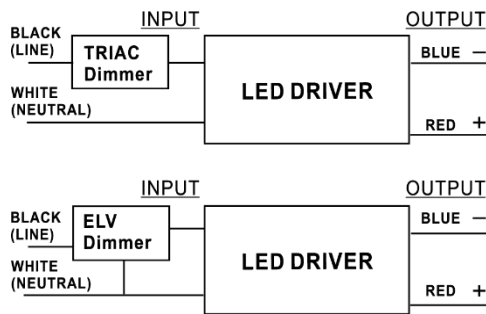
Model Name	T1C350S25
Output Mode	Constant Current
Input Voltage	120 Vac
Input Frequency	50/60 Hz
Dimming	Leading & Trailing Edge
Surge Rating	1KV
Warranty	3 Years 0°C ≤ Temp. ≤ 50°C

Product Specification



Output Power (W)	Output Voltage (V)	Output Current (A)	Start Temp. (°F/°C)	Tcase Temp. (°F/°C)	Input Current (A)	Input Power (W)	Inrush Current (A)	THD (%)	Power Factor	Efficiency (%)
Max. 25	50-71	0.35	Min 32/0	Max. 122/50	0.25@120V	30	Max. 25	Max. 20	Min. 0.9	Typ. 83

Wire Diagram

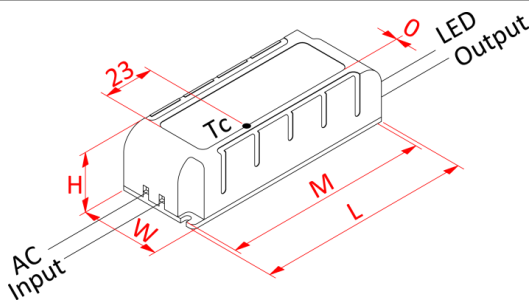


Lead Length	Inch	Cm
Black	6	15.2
White	6	15.2
Green	NA	NA
Red	6	15.2
Blue	6	15.2

Maximum Wiring Distance (at full load) is 18AWG/18Feet

LED case should be grounded

Enclosure



AP26

Enclosure	Inch	Cm
Length(L)	3.86	9.8
Width(W)	1.46	3.7
Height(H)	1.04	2.65
Mounting(M)	3.7	9.4

Dimmer Compatibility Chart for 120VAC/60Hz

LEVITON	6633-PLW	LEVITON	RP106	LUTRON	SF-103P-WH
LEVITON	No.6674	LUTRON	DVPDC-203P	LUTRON	NTLV-600
LEVITON	6615-POW	LUTRON	DVCL-153P	LUTRON	S-600P-WH