



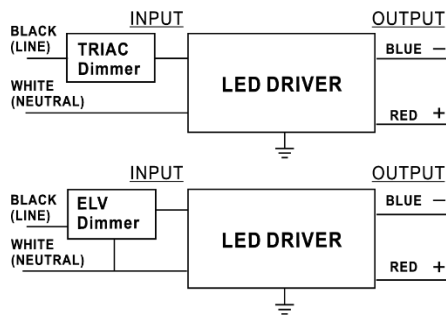
Model Name	T1C1400S55L
Output Mode	Constant Current
Input Voltage	120 Vac
Input Frequency	50/60 Hz
Dimming	Leading & Trailing Edge
Surge Rating	1KV
Warranty	5 Years $TC \leq 75^{\circ}C$ 3 Years $75^{\circ}C \leq TC \leq 90^{\circ}C$

Product Specification



Output Power (W)	Output Voltage (V)	Output Current (A)	Start Temp. ($^{\circ}F/^{\circ}C$)	Tcase Temp. ($^{\circ}F/^{\circ}C$)	Input Current (A)	Input Power (W)	Inrush Current (A)	THD (%)	Power Factor	Efficiency (%)
Max. 55	27-39	1.4	Min 32/0	Max. 194/90	0.55@120V	66	Max. 30	Max. 20	Min. 0.9	Typ. 83

Wire Diagram

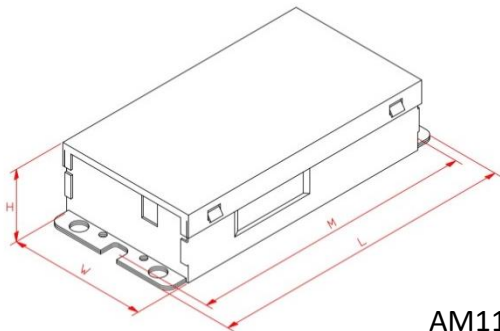


Lead Length	Inch	Cm
Black	6	15.2
White	6	15.2
Green	NA	NA
Red	6	15.2
Blue	6	15.2

Maximum Wiring Distance (at full load) is 18AWG/18Feet

LED case should be grounded

Enclosure



AM111

Enclosure	Inch	Cm
Length(L)	5.23	13.3
Width(W)	2.48	6.3
Height(H)	1.18	3
Mounting(M)	4.84	12.3

Dimmer Compatibility Chart for 120VAC/60Hz

LEVITON	6633-PLW	LEVITON	S-600P-WH	LUTRON	NTLV-600
LEVITON	No.6674	LUTRON	SF-103P-WH		