



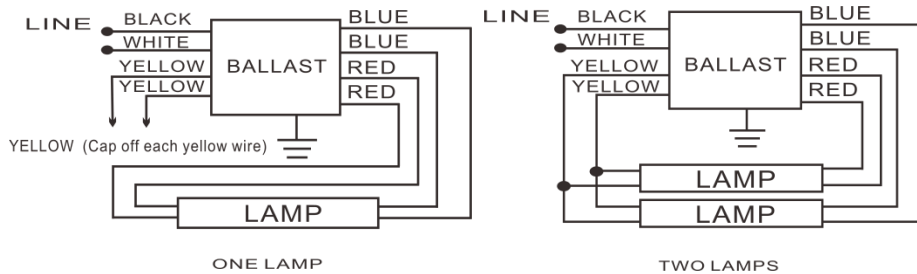
<b>Model Name</b>	PPD-A32T8MHO
<b>Ballast Type</b>	Electronic
<b>Starting Method</b>	Program Start
<b>Lamp connection</b>	Parallel
<b>Input Voltage</b>	120-277V
<b>Input Frequency</b>	50/60Hz
<b>Warranty</b>	5 Years $TC \leq 75^{\circ}C$ 3 Years $75^{\circ}C \leq TC \leq 90^{\circ}C$

## Safety & Performance



- One or Two Lamps
- UL/cUL Listed
- UL Type 1 Outdoor
- FCC part 18 Class A
- Sound Rated Class A
- Class P Thermally Protected
- High Power Factor
- Surge Protected
- Auto Restart
- No PCBs
- Type HL
- DOE Energy Verified

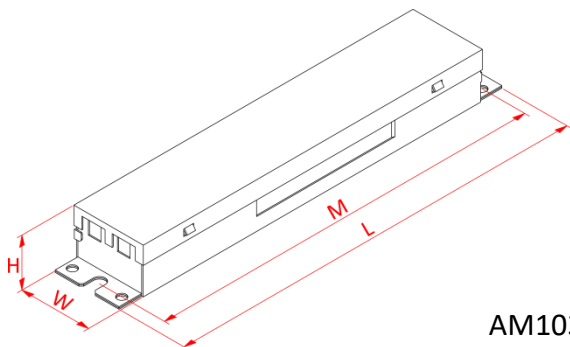
## Wire Diagram



Lead Length	Inch	Cm
Black	18.8	48
White	18.8	48
Blue	30.9	78.5
Red	30.9	78.5
Yellow	46.4	118

Maximum Wiring Distance (at full load) is 18AWG/18Feet  
Case must be grounded

## Enclosure



AM103

Enclosure	Inch	Cm
Length(L)	9.5	24.1
Width(W)	1.7	4.3
Height(H)	1.2	3.05
Mounting(M)	8.9	22.6



## Electrical Specification with Different Lamps

Lamp Type	No. of Lamps	Input Voltage (V)	Rated Lamp Watts	Start Temp Min. (F/C)	Input Current (Amps)	Input Power (ANSI Watts)	Ballast Factor	THD Max. (%)	Power Factor	Lamp Current Crest Factor Max.	BEF
F32T8	2	120	32	0/-18	0.62	74	1.19	10	0.99	1.7	1.61
		230			0.33			10	0.99		
		277			0.28			15	0.98		
	1	120	32	0/-18	0.37	45	1.37	10	0.99	1.7	3.04
		230			0.20			15	0.98		
		277			0.17			15	0.97		
F25T8	2	120	25	0/-18	0.48	57	1.20	10	0.99	1.7	2.11
		230			0.25			10	0.99		
		277			0.21			15	0.98		
	1	120	25	0/-18	0.29	35	1.4	10	0.99	1.7	4.00
		230			0.16			15	0.98		
		277			0.13			20	0.97		
F17T8	2	120	17	0/-18	0.37	41	1.23	10	0.99	1.7	3.00
		230			0.18			15	0.99		
		277			0.15			15	0.97		
	1	120	17	0/-18	0.21	25	1.42	10	0.99	1.7	5.68
		230			0.11			20	0.98		
		277			0.09			25	0.97		
F40T8	1	120	40	32/0	0.35	42	1.03	10	0.99	1.7	2.45
		230			0.19			10	0.99		
		277			0.15			10	0.99		



## Electrical Specification with Different Lamps

Lamp Type	No. of Lamps	Input Voltage (V)	Rated Lamp Watts	Start Temp Min. (F/C)	Input Current (Amps)	Input Power (ANSI Watts)	Ballast Factor	THD Max. (%)	Power Factor	Lamp Current Crest Factor Max.	BEF
F32T8/ES (30W)	2	120	30	32/0	0.60	72	1.19	10	0.99	1.7	1.65
		230			0.32			10	0.99		
		277			0.27			15	0.98		
	1	120	30	32/0	0.35	42	1.37	10	0.99	1.7	3.26
		230			0.19			15	0.99		
		277			0.15			15	0.97		
F32T8/ES (28W)	2	120	28	32/0	0.55	65	1.19	10	0.99	1.7	1.83
		230			0.29			10	0.98		
		277			0.24			15	0.98		
	1	120	28	32/0	0.33	39	1.37	10	0.99	1.7	3.51
		230			0.17			15	0.98		
		277			0.14			15	0.97		
F32T8/ES (25W)	2	120	25	32/0	0.50	60	1.19	10	0.99	1.7	1.98
		230			0.27			10	0.99		
		277			0.22			15	0.97		
	1	120	25	32/0	0.31	37	1.37	10	0.99	1.7	3.70
		230			0.16			15	0.98		
		277			0.14			20	0.97		