



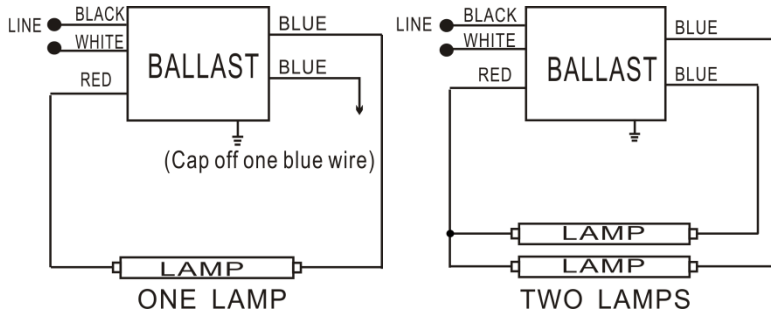
Model Name	EPD-A59T8HO
Ballast Type	Electronic
Starting Method	Instant Start
Lamp connection	Parallel
Input Voltage	120-277V
Input Frequency	50/60Hz
Warranty	5 Years $TC \leq 75^{\circ}C$ 3 Years $75^{\circ}C \leq TC \leq 90^{\circ}C$

Safety & Performance



- One or Two Lamps
- UL/cUL Listed
- UL Type 1 Outdoor
- FCC part 18 Class A
- Sound Rated Class A
- Class P Thermally Protected
- High Power Factor
- Surge Protected
- Auto Restart
- No PCBs
- Type HL
- DOE Energy Verified

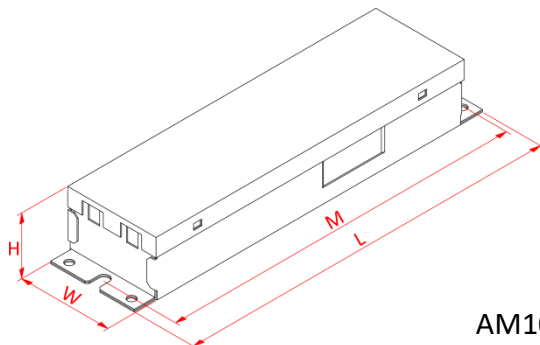
Wire Diagram



Lead Length	Inch	Cm
Black	18.8	48
White	18.8	48
Blue	30.9	78.5
Red	46.4	118

Maximum Wiring Distance (at full load) is 18AWG/18Feet
Case must be grounded

Enclosure



AM105

Enclosure	Inch	Cm
Length(L)	9.5	24.1
Width(W)	2.4	6.1
Height(H)	1.45	3.7
Mounting(M)	8.9	22.6



Electrical Specification with Different Lamps

Lamp Type	No. of Lamps	Input Voltage (V)	Rated Lamp Watts	Start Temp Min. (F/C)	Input Current (Amps)	Input Power (ANSI Watts)	Ballast Factor	THD Max. (%)	Power Factor	Lamp Current Crest Factor Max.	BEF
F96T8	2	120	59	0/-18	1.19	143	1.18	10	0.99	1.7	0.83
		230			0.63			10	0.99		
		277			0.52			15	0.98		
	1	120	59	0/-18	0.75	90	1.3	10	0.99	1.7	1.44
		230			0.40			15	0.98		
		277			0.33			20	0.97		
F96T8HO	2	120	86	0/-18	1.21	145	0.82	10	0.99	1.7	0.57
		230			0.64			10	0.99		
		277			0.53			15	0.98		
	1	120	86	0/-18	0.74	89	0.94	10	0.99	1.7	1.06
		230			0.37			15	0.98		
		277			0.33			20	0.97		
F72T8HO	2	120	65	0/-18	0.97	115	0.82	10	0.99	1.7	0.71
		230			0.51			15	0.98		
		277			0.42			15	0.98		
	1	120	65	0/-18	0.61	73	0.95	15	0.98	1.7	1.30
		230			0.32			20	0.98		
		277			0.27			25	0.97		
F60T8HO	2	120	55	0/-18	0.80	95	0.81	10	0.99	1.7	0.85
		230			0.42			15	0.98		
		277			0.35			20	0.97		
	1	120	55	0/-18	0.50	60	0.95	15	0.98	1.7	1.58
		230			0.27			20	0.98		
		277			0.22			25	0.97		



Electrical Specification with Different Lamps

Lamp Type	No. of Lamps	Input Voltage (V)	Rated Lamp Watts	Start Temp Min. (F/C)	Input Current (Amps)	Input Power (ANSI Watts)	Ballast Factor	THD Max. (%)	Power Factor	Lamp Current Crest Factor Max.	BEF
F48T8HO	2	120	44	0/-18	0.66	78	0.82	15	0.98	1.7	1.05
		230			0.35			20	0.98		
		277			0.29			25	0.97		
	1	120	44	0/-18	0.43	51	0.95	15	0.98	1.7	1.86
		230			0.23			20	0.97		
		277			0.19			25	0.96		
F58T8	2	120	58	0/-18	0.66	78	0.79	15	0.98	1.7	1.01
		230			0.35			20	0.98		
		277			0.29			25	0.97		
	1	120	58	0/-18	0.41	49	0.93	15	0.98	1.7	1.90
		230			0.22			20	0.97		
		277			0.18			25	0.96		
F40T8	2	120	40	0/-18	0.82	97	1.2	10	0.99	1.7	1.24
		230			0.43			15	0.98		
		277			0.36			20	0.97		
	1	120	40	0/-18	0.52	62	1.39	15	0.98	1.7	2.24
		230			0.28			20	0.97		
		277			0.23			25	0.97		
FO96T8 /XP/SS	2	120	55	0/-18	1.12	134	1.18	10	0.99	1.7	0.88
		230			0.59			15	0.98		
		277			0.49			15	0.98		
	1	120	55	0/-18	0.66	79	1.3	15	0.98	1.7	1.65
		230			0.35			20	0.98		
		277			0.29			25	0.97		