



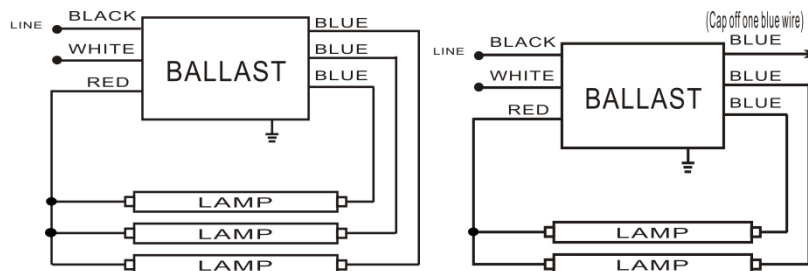
<b>Model Name</b>	EPT-332T8MHO
<b>Ballast Type</b>	Electronic
<b>Starting Method</b>	Instant Start
<b>Lamp connection</b>	Parallel
<b>Input Voltage</b>	347V
<b>Input Frequency</b>	60Hz
<b>Warranty</b>	5 Years $TC \leq 75^{\circ}C$ 3 Years $75^{\circ}C \leq TC \leq 90^{\circ}C$

## Safety & Performance



- Three or Four Lamps
- UL/cUL Listed
- UL Type 1 Outdoor
- FCC part 18 Class A
- Sound Rated Class A
- Class P Thermally Protected
- High Power Factor
- Surge Protected
- Auto Restart
- No PCBs
- Open Circuit Voltage 600V
- Type HL

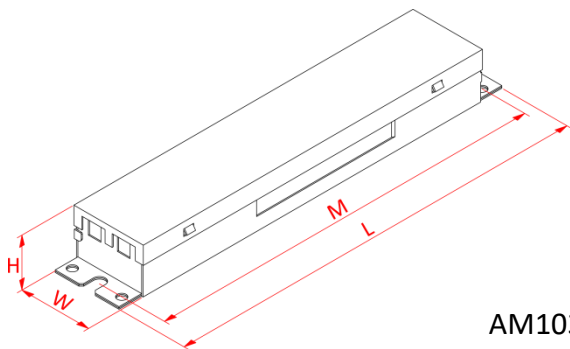
## Wire Diagram



Lead Length	Inch	Cm
Black	18.8	48
White	18.8	48
Blue	30.9	78.5
Red	46.4	118

Maximum Wiring Distance (at full load) is 18AWG/18Feet  
Case must be grounded

## Enclosure



AM103

Enclosure	Inch	Cm
Length(L)	9.5	24.1
Width(W)	1.7	4.3
Height(H)	1.2	3.05
Mounting(M)	8.9	22.6



## Electrical Specification with Different Lamps

Lamp Type	No. of Lamps	Input Voltage (V)	Rated Lamp Watts	Start Temp Min. (F/C)	Input Current (Amps)	Input Power (ANSI Watts)	Ballast Factor	THD Max. (%)	Power Factor	Lamp Current Crest Factor Max.	BEF
F32T8	3	347	32	0/-18	0.32	110	1.22	10	0.99	1.7	1.13
	2				0.24	80	1.25	10	0.98		1.56
F25T8	3	347	25	0/-18	0.25	84	1.18	10	0.98	1.7	1.40
	2				0.18	63	1.23	15	0.98		1.95
F17T8	3	347	17	0/-18	0.17	59	1.22	15	0.98	1.7	2.07
	2				0.14	47	1.35	15	0.98		2.87
F40T8	2	347	40	32/0	0.28	98	1.23	10	0.99	1.7	1.26
F32T8/ES (30W)	3	347	30	32/0	0.31	106	1.22	10	0.99	1.7	1.15
	2				0.23	78	1.25	15	0.98		1.60
F32T8/ES (28W)	3	347	28	32/0	0.29	99	1.22	10	0.99	1.7	1.23
	2				0.21	73	1.25	15	0.98		1.71
F32T8/ES (25W)	3	347	25	32/0	0.28	95	1.22	10	0.99	1.7	1.28
	2				0.20	70	1.25	15	0.98		1.79