



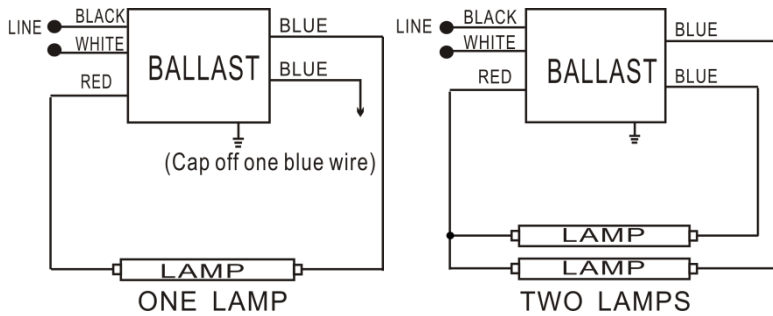
<b>Model Name</b>	EPD-A32T8M
<b>Ballast Type</b>	Electronic
<b>Starting Method</b>	Instant Start
<b>Lamp connection</b>	Parallel
<b>Input Voltage</b>	120-277V
<b>Input Frequency</b>	50/60Hz
<b>Warranty</b>	5 Years $TC \leq 75^{\circ}C$ 3 Years $75^{\circ}C \leq TC \leq 90^{\circ}C$

## Safety & Performance



- One or Two Lamps
- UL/cUL Listed
- UL Type 1 Outdoor
- FCC part 18 Class A
- Sound Rated Class A
- Class P Thermally Protected
- High Power Factor
- Surge Protected
- Auto Restart
- No PCBs
- Type HL
- DOE Energy Verified

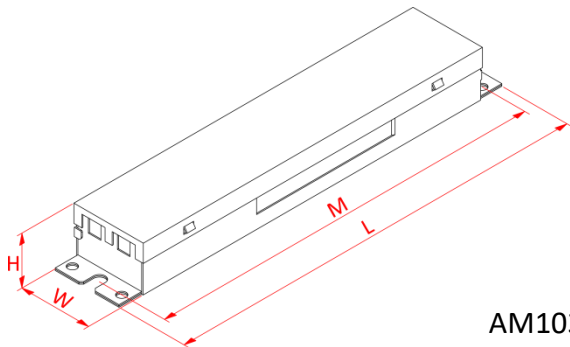
## Wire Diagram



Lead Length	Inch	Cm
Black	18.8	48
White	18.8	48
Blue	30.9	78.5
Red	46.4	118

Maximum Wiring Distance (at full load) is 18AWG/18Feet  
Case must be grounded

## Enclosure



AM103

Enclosure	Inch	Cm
Length(L)	9.5	24.1
Width(W)	1.7	4.3
Height(H)	1.2	3.05
Mounting(M)	8.9	22.6



## Electrical Specification with Different Lamps

Lamp Type	No. of Lamps	Input Voltage (V)	Rated Lamp Watts	Start Temp Min. (F/C)	Input Current (Amps)	Input Power (ANSI Watts)	Ballast Factor	THD Max. (%)	Power Factor	Lamp Current Crest Factor Max.	BEF
F32T8	2	120	32	0/-18	0.54	57	0.88	10	0.99	1.7	1.54
		230			0.25			10	0.99		
		277			0.23			10	0.99		
	1	120	32	0/-18	0.30	36	1.06	10	0.99	1.7	2.94
		230			0.16			10	0.99		
		277			0.13			10	0.98		
F25T8	2	120	25	0/-18	0.37	46	0.9	10	0.99	1.7	1.96
		230			0.20			10	0.99		
		277			0.16			10	0.99		
	1	120	25	0/-18	0.25	30	1.13	10	0.99	1.7	3.77
		230			0.13			10	0.99		
		277			0.11			15	0.98		
F17T8	2	120	17	0/-18	0.28	33	0.95	10	0.99	1.7	2.88
		230			0.14			10	0.99		
		277			0.12			10	0.98		
	1	120	17	0/-18	0.17	20	1.45	10	0.99	1.7	7.25
		230			0.09			10	0.99		
		277			0.07			10	0.99		
F40T8	1	120	40	32/0	0.37	44	1.03	10	0.99	1.7	2.34
		230			0.19			10	0.99		
		277			0.16			10	0.99		



## Electrical Specification with Different Lamps

Lamp Type	No. of Lamps	Input Voltage (V)	Rated Lamp Watts	Start Temp Min. (F/C)	Input Current (Amps)	Input Power (ANSI Watts)	Ballast Factor	THD Max. (%)	Power Factor	Lamp Current Crest Factor Max.	BEF
F32T8/ES (30W)	2	120	30	32/0	0.23	54	0.88	10	0.99	1.7	1.63
		230			0.23			10			
		277			0.19			10			
	1	120	30	32/0	0.15	35	1.08	10	0.99	1.7	3.09
		230			0.15			10			
		277			0.13			10			
F32T8/ES (28W)	2	120	28	32/0	0.22	50	0.88	10	0.99	1.7	1.76
		230			0.22			10			
		277			0.18			10			
	1	120	28	32/0	0.13	31	1.05	10	0.99	1.7	3.39
		230			0.13			10			
		277			0.11			10			
F32T8/ES (25W)	2	120	25	32/0	0.20	46	0.88	10	0.99	1.7	1.91
		230			0.20			10			
		277			0.17			10			
	1	120	25	32/0	0.12	27	1.05	10	0.99	1.7	3.89
		230			0.12			10			
		277			0.10			10			