



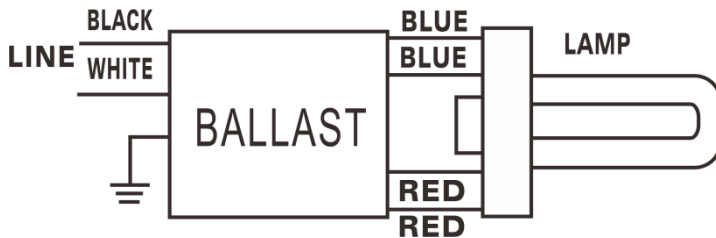
Model Name	TSS-UV55PBXMS
Ballast Type	Electronic
Starting Method	Program Start
Lamp connection	Series
Input Voltage	120-277V
Input Frequency	50/60Hz
Warranty	5 Years $TC \leq 75^{\circ}C$ 3 Years $75^{\circ}C \leq TC \leq 90^{\circ}C$

Safety & Performance



- One lamp
- Sound Rated Class A
- Auto Restart
- UL/cUL Listed
- Class P Thermally Protected
- No PCBs
- UL Type 1 Outdoor
- High Power Factor
- Type HL
- FCC part 18 Class A
- Surge Protected

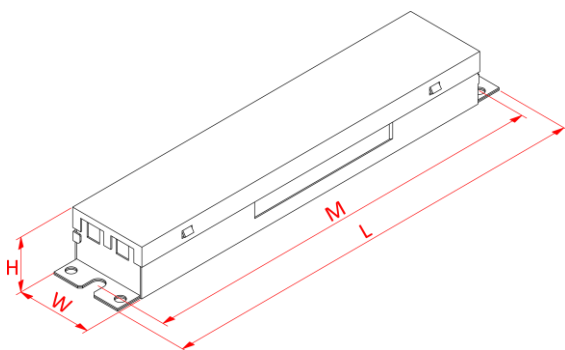
Wire Diagram



Lead Length	Inch	Cm
Black	18.8	48
White	18.8	48
Blue	18.8	47.8
Red	18.8	47.8

Maximum Wiring Distance (at full load) is 18AWG/18Feet
Case must be grounded

Enclosure



AM103

Enclosure	Inch	Cm
Length(L)	9.5	24.1
Width(W)	1.7	4.3
Height(H)	1.2	3.05
Mounting(M)	8.9	22.6



Electrical Specification with Different Lamps

Lamp Type	No. of Lamps	Input Voltage (V)	Rated Lamp Watts	Start Temp Min. (F/C)	Input Current (Amps)	Input Power (ANSI Watts)	Ballast Factor	THD Max. (%)	Power Factor	Lamp Current Crest Factor Max.	BEF
55W PLL	1	120	55	-22/-30	0.46	55	0.86	10	0.99	1.7	1.55
		230			0.23			10	0.99		
		277			0.2			10	0.98		
54W T5	1	120	44	-22/-30	0.5	63	1.02	10	0.99	1.7	1.63
		230			0.2			10	0.99		
		277			0.23			15	0.97		
50W PLL	1	120	50	-22/-30	0.46	56	0.91	10	0.99	1.7	1.65
		230			0.23			10	0.99		
		277			0.2			10	0.98		
39W T5	1	120	39	-22/-30	0.35	43	0.85	10	0.99	1.7	2.13
		230			0.17			15	0.98		
		277			0.14			15	0.97		