



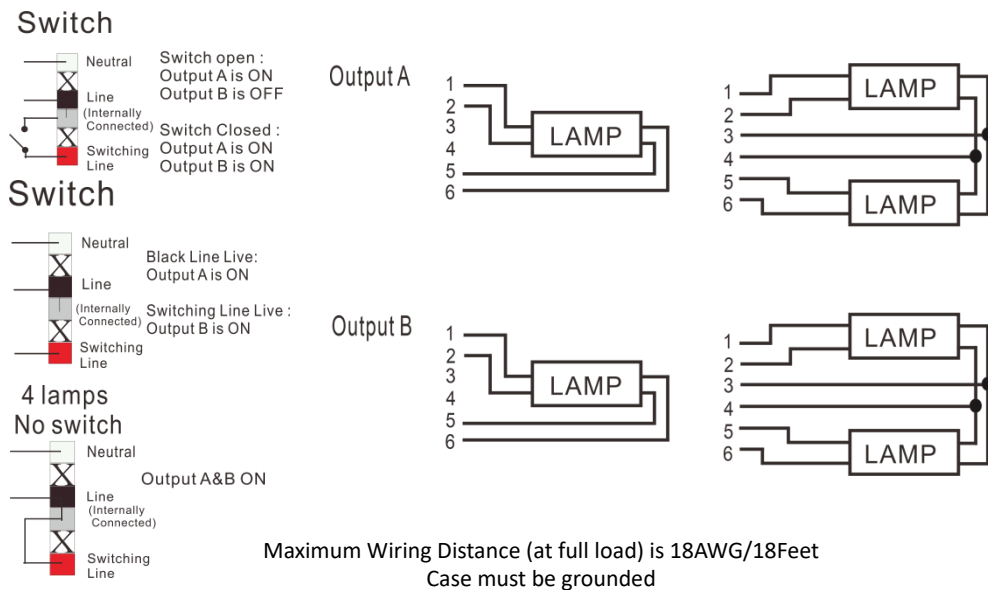
Model Name	ESD-354T5SX2
Ballast Type	Electronic
Starting Method	Program Start
Lamp connection	Series
Input Voltage	347V
Input Frequency	60Hz
Warranty	5 Years $TC \leq 75^{\circ}C$ 3 Years $75^{\circ}C \leq TC \leq 90^{\circ}C$

Safety & Performance

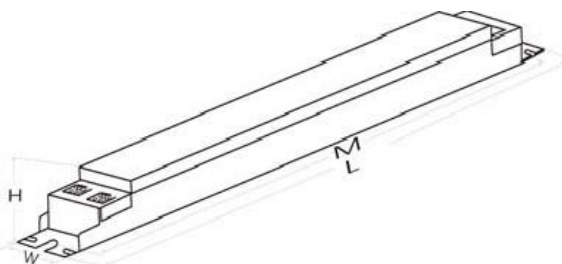


- Maximum Four lamps
- UL/cUL Listed
- UL Type 1 Outdoor
- FCC part 18 Class A
- Sound Rated Class A
- Class P Thermally Protected
- High Power Factor
- Surge Protected
- Auto Restart
- No PCBs
- Type HL

Wire Diagram



Enclosure



AM94

Enclosure	Inch	Cm
Length(L)	12.8	32.5
Width(W)	2.52	6.4
Height(H)	1.16	2.95
Mounting(M)	12.5	31.7



Electrical Specification with Different Lamps

Lamp Type	No. of Lamps	Input Voltage (V)	Rated Lamp Watts	Start Temp Min. (F/C)	Input Current (Amps)	Input Power (ANSI Watts)	Ballast Factor	THD Max. (%)	Power Factor	Lamp Current Crest Factor Max.	BEF
54W T5HO	4	347	54	-22/-30	0.64	238	1	10	0.99	1.7	0.78
	3				0.51	178	1.05	10	0.99		0.78
	2				0.34	119	1	10	0.99		0.78
	1				0.18	61	1.02	15	0.99		1.59
54W T5HO/ES	4	347	49	-22/-30	0.64	222	1	10	0.99	1.7	0.45
	3				0.48	166	1.05	10	0.99		0.63
	2				0.32	112	1	10	0.99		0.89
	1				0.17	58	1.02	15	0.99		1.76
39W T5	4	347	39	-22/-30	0.53	183	0.98	10	0.99	1.7	1.12
55W PLL	4	347	55	-22/-30	0.64	218	0.88	10	0.99	1.7	0.73
	3				0.45	156	0.95	10	0.99		0.73
	2				0.32	109	0.88	10	0.99		0.73
	1				0.18	60	0.93	15	0.98		1.45
50W PLL	4	347	50	-22/-30	0.64	220	1.02	10	0.99	1.7	0.8
	3				0.49	110	1.05	10	0.99		0.8
	2				0.32	110	1.02	10	0.99		0.8
	1				0.17	58	1.05	15	0.98		1.65