



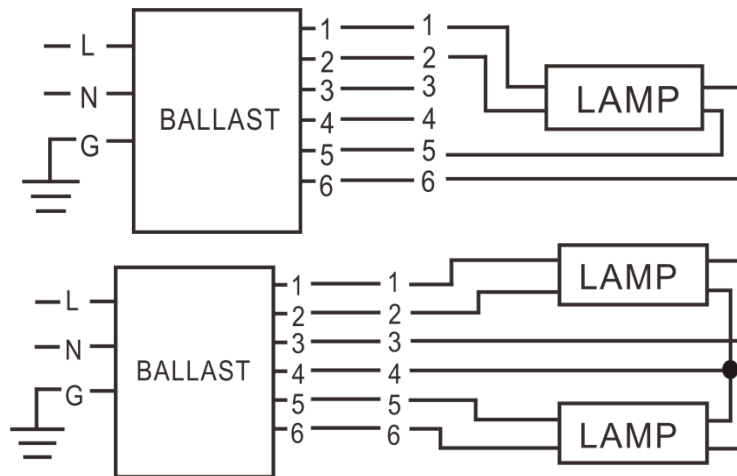
<b>Model Name</b>	ESD-A35T5S
<b>Ballast Type</b>	Electronic
<b>Starting Method</b>	Program Start
<b>Lamp connection</b>	Series
<b>Input Voltage</b>	120-277V
<b>Input Frequency</b>	50/60Hz
<b>Warranty</b>	5 Years $TC \leq 75^{\circ}C$ 3 Years $75^{\circ}C \leq TC \leq 90^{\circ}C$

## Safety & Performance



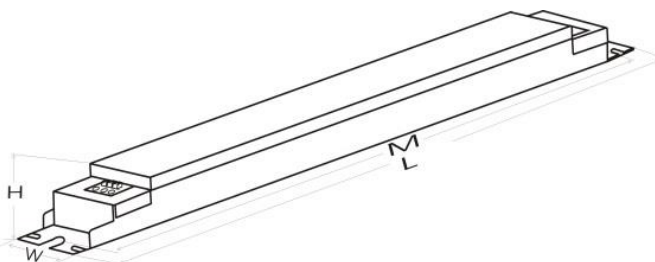
- One or Two lamps
- UL/cUL Listed
- UL Type 1 Outdoor
- FCC part 18 Class A
- Sound Rated Class A
- Class P Thermally Protected
- High Power Factor
- Surge Protected
- Auto Restart
- No PCBs
- Type HL
- DOE Energy Verified

## Wire Diagram



Maximum Wiring Distance (at full load) is 18AWG/18Feet  
Case must be grounded

## Enclosure



AM34

Enclosure	Inch	Cm
Length(L)	11.5	29.2
Width(W)	1.34	3.4
Height(H)	1.06	2.7
Mounting(M)	11.14	28.3



## Electrical Specification with Different Lamps

Lamp Type	No. of Lamps	Input Voltage (V)	Rated Lamp Watts	Start Temp Min. (F/C)	Input Current (Amps)	Input Power (ANSI Watts)	Ballast Factor	THD Max. (%)	Power Factor	Lamp Current Crest Factor Max.	BEF
35W T5	2	120	35	-22/-30	0.69	85	0.95	10	0.99	1.7	1.12
		230			0.36			10	0.99		
		277			0.3			10	0.99		
	1	120			0.35	42	1.02	10	0.99		2.43
		230			0.19			15	0.99		
		277			0.16			15	0.98		
28W T5	2	120	28	-22/-30	0.56	69	0.96	10	0.99	1.7	1.39
		230			0.3			10	0.99		
		277			0.25			10	0.99		
	1	120			0.29	35	1.07	10	0.99		3.06
		230			0.16			15	0.98		
		277			0.13			20	0.97		