



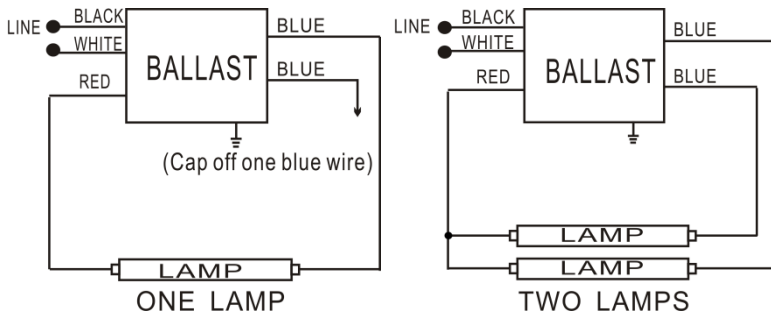
<b>Model Name</b>	EPD-A75S
<b>Ballast Type</b>	Electronic
<b>Starting Method</b>	Active Instant Start
<b>Lamp connection</b>	Parallel
<b>Input Voltage</b>	120-277V
<b>Input Frequency</b>	50/60Hz
<b>Warranty</b>	5 Years $TC \leq 75^{\circ}C$ 3 Years $75^{\circ}C \leq TC \leq 90^{\circ}C$

## Safety & Performance



- One or Two lamps
- UL/cUL Listed
- UL Type 1 Outdoor
- FCC part 18 Class A
- Sound Rated Class A
- Class P Thermally Protected
- High Power Factor
- Surge Protected
- Auto Restart
- No PCBs
- Type HL
- DOE Energy Verified

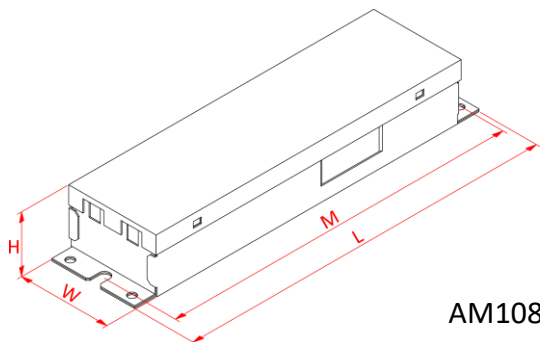
## Wire Diagram



Lead Length	Inch	Cm
Black	18.8	48
White	18.8	48
Blue	40	101.6
Red	68.5	167.1

Maximum Wiring Distance (at full load) is 18AWG/18Feet  
Case must be grounded

## Enclosure



AM108

Enclosure	Inch	Cm
Length(L)	9.5	24.1
Width(W)	2.4	6.1
Height(H)	1.57	4.0
Mounting(M)	8.9	22.6



## Electrical Specification with Different Lamps

Lamp Type	No. of Lamps	Input Voltage (V)	Rated Lamp Watts	Start Temp Min. (F/C)	Input Current (Amps)	Input Power (ANSI Watts)	Ballast Factor	THD Max. (%)	Power Factor	Lamp Current Crest Factor Max.	BEF
F96W T12	2	120	75	0/-18	1.26	140	0.9	10	0.99	1.7	0.64
		230			0.64			10	0.99		
		277			0.52			10	0.99		
	1	120			0.75	89	1.02	10	0.99		1.15
		230			0.40			10	0.98		
		277			0.33			10	0.98		
F84W T12	2	120	65	0/-18	1.10	124	0.9	10	0.99	1.7	0.73
		230			0.55			10	0.99		
		277			0.46			10	0.99		
	1	120			0.70	79	1.04	10	0.99		1.32
		230			0.35			10	0.98		
		277			0.29			15	0.98		
F72W T12	2	120	55	0/-18	0.94	107	0.91	10	0.99	1.7	0.85
		230			0.48			10	0.99		
		277			0.39			10	0.99		
	1	120			0.58	68	1.04	10	0.99		1.53
		230			0.30			15	0.98		
		277			0.25			15	0.98		
F64W T12	2	120	50	0/-18	0.86	96	1.04	10	0.99	1.7	0.94
		230			0.43			10	0.99		
		277			0.35			10	0.98		
	1	120			0.54	63	0.9	10	0.99		1.71
		230			0.28			10	0.98		
		277			0.23			15	0.98		
F60W T12	2	120	50	0/-18	0.80	91	0.9	10	0.99	1.7	0.99
		230			0.41			10	0.98		
		277			0.34			10	0.98		
	1	120			0.51	60	1.08	10	0.99		1.80
		230			0.27			15	0.98		
		277			0.22			15	0.98		



## Electrical Specification with Different Lamps

Lamp Type	No. of Lamps	Input Voltage (V)	Rated Lamp Watts	Start Temp Min. (F/C)	Input Current (Amps)	Input Power (ANSI Watts)	Ballast Factor	THD Max. (%)	Power Factor	Lamp Current Crest Factor Max.	BEF
F48W T12	2	120	40	0/-18	0.65	73	0.9	10	0.99	1.7	1.23
		230			0.32			10	0.98		
		277			0.27			15	0.98		
	1	120			0.42	48	1.1	10	0.99		2.29
		230			0.22			15	0.98		
		277			0.18			15	0.97		
F96W T12/ES	2	120	60	0/-18	0.88	105	0.9	10	0.99	1.7	0.86
		230			0.47			10	0.99		
		277			0.39			10	0.98		
	1	120			0.57	68	1.04	10	0.99		1.53
		230			0.30			15	0.98		
		277			0.25			15	0.98		