



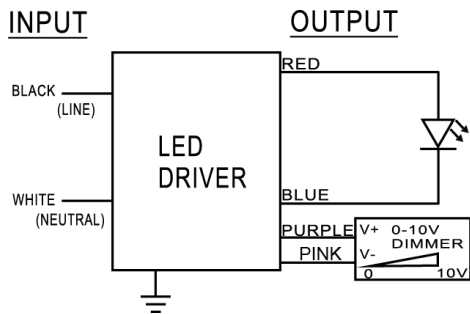
Model Name	P3C3100S130D
Output Mode	Constant Current
Input Voltage	347 Vac
Input Frequency	50/60 Hz
Dimming	3 in 1 (PWM, 1-10V, Resistance) Dim to 10%
Surge Rating	2KV
Warranty	5 Years $TC \leq 75^{\circ}C$ 3 Years $75^{\circ}C \leq TC \leq 90^{\circ}C$

Product Specification



Output Power (W)	Output Voltage (V)	Output Current (A)	Start Temp. (°F/°C)	Tcase Temp. (°F/°C)	Input Current (A)	Input Power (W)	Inrush Current (A)	THD (%)	Power Factor	Efficiency (%)
Max. 130	25-42	2.5-3.1	Min 32/0	Max. 194/90	0.43@347V	149	40	Max. 20	Min. 0.9	Typ. 87

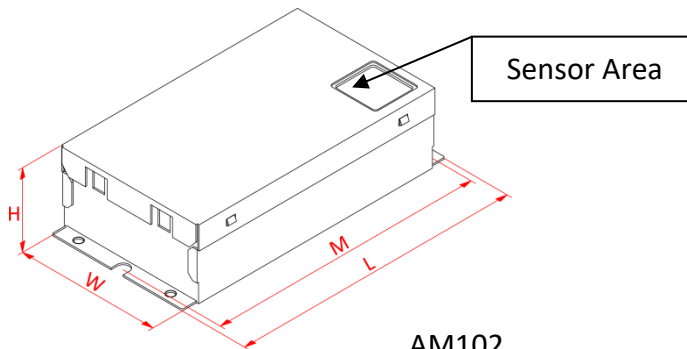
Wire Diagram



Maximum Wiring Distance (at full load) is 18AWG/18Feet
LED case should be grounded

Lead Length	Inch	Cm
Black	6	15.2
White	6	15.2
Green	NA	NA
Red	6	15.2
Blue	6	15.2
Purple	7.1	18
Pink	7.1	18

Enclosure



AM102

Enclosure	Inch	Cm
Length(L)	6.85	17.4
Width(W)	3.58	9.1
Height(H)	1.73	4.4
Mounting(M)	6.54	16.6

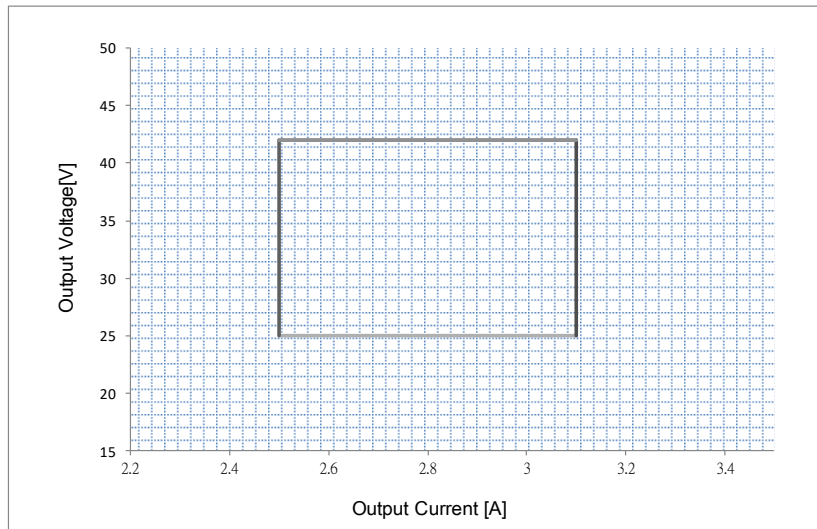


Programmable Tool

- Put the programmable wand above the NFC mark of the driver to start programming
- Download the software from www.antron.com.tw



I_{out} vs V_{out} Curve



Output Current Code List

Output Current Code List

Current Value (mA)	Correspond Iout Code				Current Value (mA)	Correspond Iout Code			
	Location					Location			
	0	1	2	3		0	1	2	3
2500	48	08	00	0B	2850	56	09	00	0B
2550	6B	08	00	0B	2900	88	09	00	0B
2600	8E	08	00	0B	2950	A6	09	00	0B
2650	B6	08	00	0B	3000	CE	09	00	0B
2700	DE	08	00	0B	3050	00	0A	00	0B
2750	06	09	00	0B	3100	28	0A	00	0B
2800	2E	09	00	0B					

Note: For drivers containing Revision C of their firmware (contact factory for date code of implementation), it is also possible to adjust the minimum dimming level and the dimming speed by programming the location 2.