



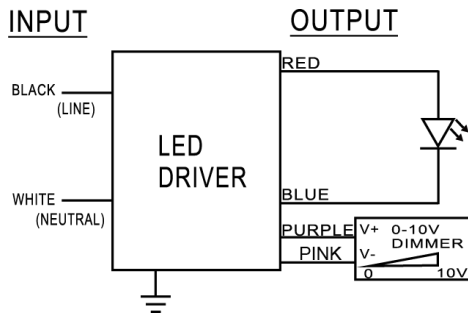
Model Name	P3C1200S110D
Output Mode	Constant Current
Input Voltage	347 Vac
Input Frequency	50/60 Hz
Dimming	3 in 1 (PWM, 1-10V, Resistance) Dim to 10%
Surge Rating	2KV
Warranty	5 Years $TC \leq 75^{\circ}C$ 3 Years $75^{\circ}C \leq TC \leq 90^{\circ}C$

Product Specification



Output Power (W)	Output Voltage (V)	Output Current (A)	Start Temp. (°F/°C)	Tcase Temp. (°F/°C)	Input Current (A)	Input Power (W)	Inrush Current (A)	THD (%)	Power Factor	Efficiency (%)
Max. 110	62-122	0.6-1.2	Min 32/0	Max. 194/90	0.37@347V	128	Max. 40	Max. 20	Min. 0.9	Typ. 87

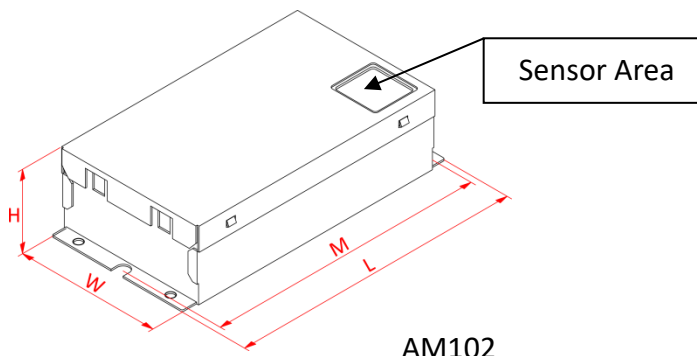
Wire Diagram



Maximum Wiring Distance (at full load) is 18AWG/18Feet
LED case should be grounded

Lead Length	Inch	Cm
Black	6	15.2
White	6	15.2
Green	NA	NA
Red	6	15.2
Blue	6	15.2
Purple	7.1	18
Pink	7.1	18

Enclosure



AM102

Enclosure	Inch	Cm
Length(L)	6.85	17.4
Width(W)	3.58	9.1
Height(H)	1.73	4.4
Mounting(M)	6.54	16.6

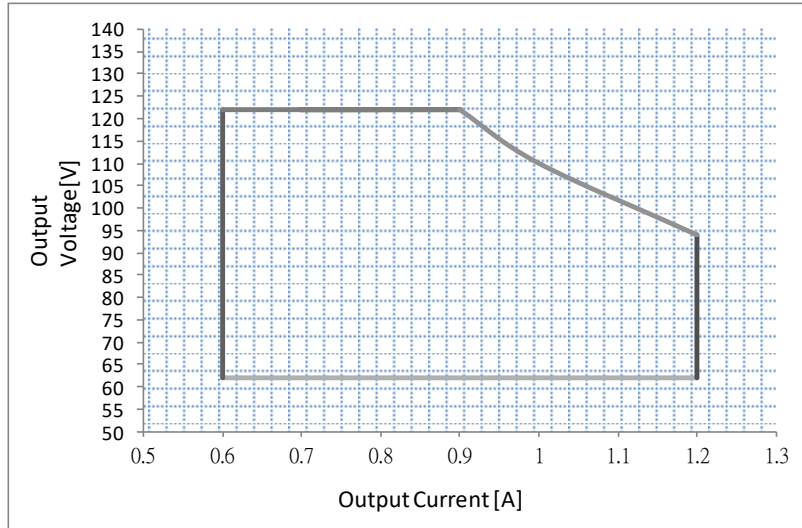


Programmable Tool

- Put the programmable wand above the NFC mark of the driver to start programming
- Download the software from www.antron.com.tw



I_{out} vs V_{out} Curve



Output Current Code List

Output Current Code List

Current Value (mA)	Correspond Iout Code				Current Value (mA)	Correspond Iout Code			
	Location					Location			
	0	1	2	3		0	1	2	3
600	FE	01	00	0C	950	16	03	00	0C
650	26	02	00	0C	1000	3E	03	00	0C
700	4E	02	00	0C	1050	66	03	00	0C
750	76	02	00	0C	1100	8E	03	00	0C
800	9E	02	00	0C	1150	B6	03	00	0C
850	C6	02	00	0C	1200	DE	03	00	0C
900	EE	02	00	0C					

Note: For drivers containing Revision C of their firmware (contact factory for date code of implementation), it is also possible to adjust the minimum dimming level and the dimming speed by programming the location 2.