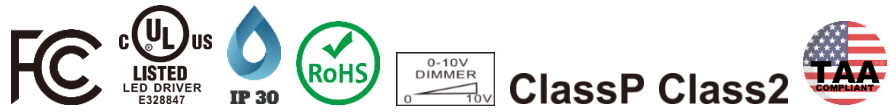




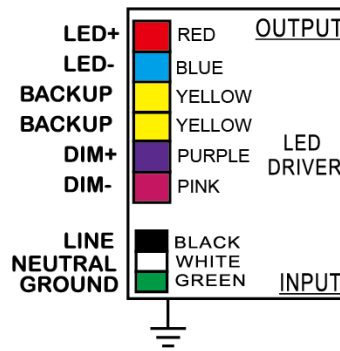
Model Name	AC1500S60DL
Output Mode	Constant Current
Input Voltage	120-277 Vac
Input Frequency	50/60 Hz
Dimming	3 in 1 (PWM,1-10V,Resistance) 1-100% Dimming
Surge Rating	2KV
Warranty	5 Years $TC \leq 75^{\circ}C$ 3 Years $75^{\circ}C \leq TC \leq 90^{\circ}C$

Product Specification



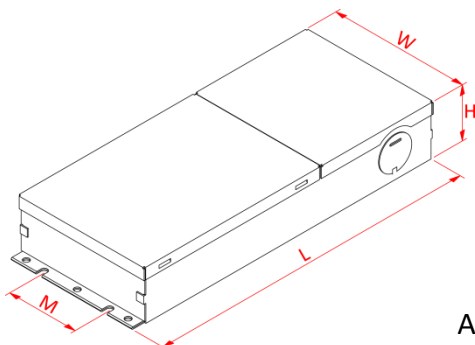
Output Power (W)	Output Voltage (V)	Output Current (A)	Start Temp. ($^{\circ}F/^{\circ}C$)	Tcase Temp. ($^{\circ}F/^{\circ}C$)	Input Current (A)	Input Power (W)	Inrush Current (A)	THD (%)	Power Factor	Efficiency (%)
Max. 60	25-42	1.5	Min. -40/-40	Max. 194/90	0.6@120V 0.26@277V	69	Max. 30	Max. 20	Min. 0.9	Typ. 87

Wire Diagram



Maximum Wiring Distance (at full load) is 18AWG/18Feet
LED case should be grounded

Enclosure



AM175

Enclosure	Inch	Cm
Length(L)	8.11	20.6
Width(W)	3.4	8.7
Height(H)	1.36	3.45
Mounting(M)	1.77	4.5