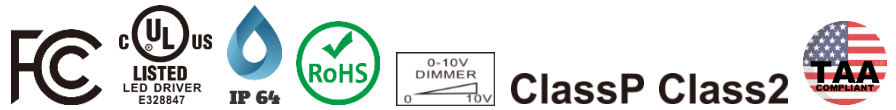




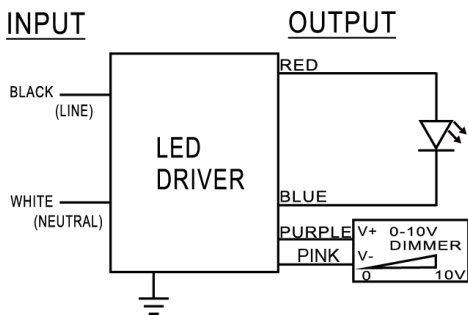
| | |
|------------------------|---|
| Model Name | MC1200S48DL-D3 |
| Output Model | Constant Current |
| Input Voltage | 120-347 Vac |
| Input Frequency | 50/60 Hz |
| Dimming | 3 in 1 (PWM, 1-10V, Resistance) 1-100% Dimming |
| Surge Rating | 2KV |
| Warranty | 5 Years $TC \leq 75^{\circ}C$ 3 Years $75^{\circ}C \leq TC \leq 90^{\circ}C$ |

Product Specification



| Output Power (W) | Output Voltage (V) | Output Current (A) | Start Temp. ($^{\circ}F/^{\circ}C$) | Tcase Temp. ($^{\circ}F/^{\circ}C$) | Input Current (A) | Input Power (W) | Inrush Current (A) | THD (%) | Power Factor | Efficiency (%) |
|------------------|--------------------|--------------------|---------------------------------------|---------------------------------------|------------------------|-----------------|--------------------|---------|--------------|----------------|
| Max. 48 | 24-40 | 1.2 | Min -40/-40 | Max. 194/90 | 0.48@120V 0.16@347V | 55 | Max. 25A | Max. 20 | Min. 0.9 | Typ. 87 |
| 42 | 24-40 | 1.05 | -40/-40 | 194/90 | 0.41@120V 0.14@347V | 49 | 25A | 20 | 0.9 | 85 |
| 28 | 24-40 | 0.7 | -40/-40 | 194/90 | 0.28@120V 0.1@347V | 33 | 25A | 20 | 0.9 | 84 |

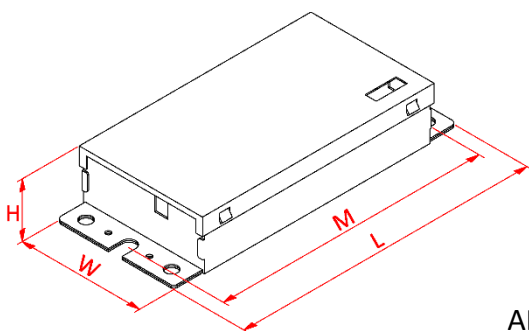
Wire Diagram



Maximum wiring distance (at full load) is 18AWG/18Feet
LED case should be grounded

| Lead Length | Inch | Cm |
|-------------|------|----|
| Black | 5.9 | 15 |
| White | 5.9 | 15 |
| Green | NA | NA |
| Red | 5.9 | 15 |
| Blue | 5.9 | 15 |
| Purple | 7.1 | 18 |
| Pink | 7.1 | 18 |

Enclosure



AM123

| Enclosure | Inch | Cm |
|-------------|------|------|
| Length(L) | 5.24 | 13.3 |
| Width(W) | 2.48 | 6.3 |
| Height(H) | 1.18 | 3 |
| Mounting(M) | 4.84 | 12.3 |