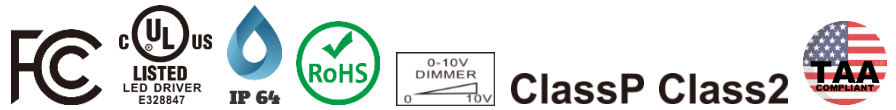




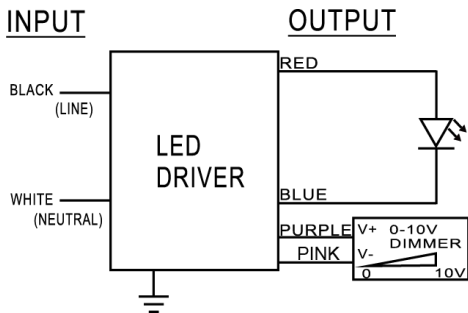
Model Name	3C1250S50DL-D3
Output Model	Constant Current
Input Voltage	347 Vac
Input Frequency	50/60 Hz
Dimming	3 in 1 (PWM,1-10V,Resistance) 1-100% Dimming
Surge Rating	2KV
Warranty	5 Years $TC \leq 75^{\circ}C$ 3 Years $75^{\circ}C \leq TC \leq 90^{\circ}C$

Product Specification



Output Power (W)	Output Voltage (V)	Output Current (A)	Start Temp. ($^{\circ}F/^{\circ}C$)	Tcase Temp. ($^{\circ}F/^{\circ}C$)	Input Current (A)	Input Power (W)	Inrush Current (A)	THD (%)	Power Factor	Efficiency (%)
Max. 50	24-40	1.25	Min. -40/-40	Max. 194/90	0.17@347V	57	Max. 25A	Max. 20	Min. 0.9	Typ. 87
42	24-40	1.05	-40/-40	194/90	0.14@347V	49	25A	20	0.9	85
28	24-40	0.7	-40/-40	194/90	0.1@347V	33	25A	20	0.9	84

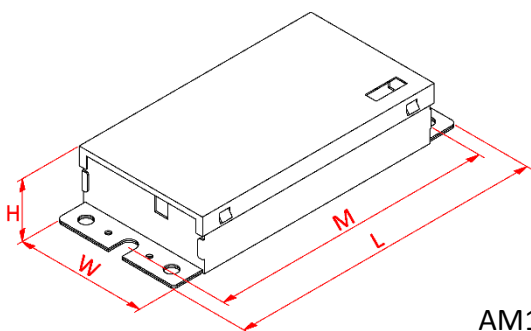
Wire Diagram



Maximum wiring distance (at full load) is 18AWG/18Feet
LED case should be grounded

Lead Length	Inch	Cm
Black	5.9	15
White	5.9	15
Green	NA	NA
Red	5.9	15
Blue	5.9	15
Purple	7.1	18
Pink	7.1	18

Enclosure



AM123

Enclosure	Inch	Cm
Length(L)	6.5	16.5
Width(W)	2.87	7.3
Height(H)	1.18	3
Mounting(M)	5.87	14.9