



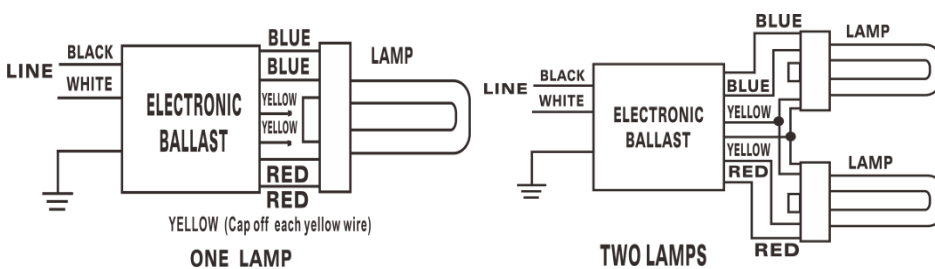
| | |
|------------------------|---|
| Model Name | FSD-A32PS |
| Ballast Type | Electronic |
| Starting Method | Program Start |
| Lamp connection | Series |
| Input Voltage | 120-277V |
| Input Frequency | 50/60Hz |
| Warranty | 5 Years $TC \leq 75^{\circ}C$ 3 Years $75^{\circ}C \leq TC \leq 90^{\circ}C$ |

Safety & Performance



- One or Two lamps
- UL/cUL Listed
- UL Type 1 Outdoor
- FCC part 18 Class A
- Sound Rated Class A
- Class P Thermally Protected
- High Power Factor
- Surge Protected
- Auto Restart
- No PCBs
- Type HL

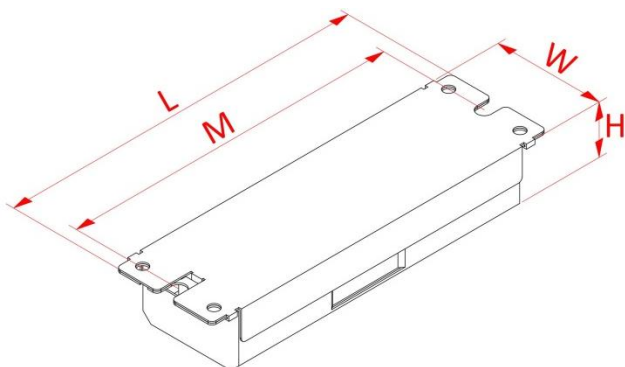
Wire Diagram



| Lead Length | Inch | Cm |
|-------------|------|----|
| Black | 18.8 | 48 |
| White | 18.8 | 48 |
| Blue | 18.8 | 48 |
| Red | 18.8 | 48 |
| Yellow | 24 | 61 |

Maximum Wiring Distance (at full load) is 18AWG/18Feet
Case must be grounded

Enclosure



AM26

| Enclosure | Inch | Cm |
|-------------|------|------|
| Length(L) | 6.5 | 16.4 |
| Width(W) | 1.93 | 4.9 |
| Height(H) | 1.18 | 3.0 |
| Mounting(M) | 5.9 | 15 |



Electrical Specification with Different Lamps

| Lamp Type | No. of Lamps | Input Voltage (V) | Rated Lamp Watts | Start Temp Min. (F/C) | Input Current (Amps) | Input Power (ANSI Watts) | Ballast Factor | THD Max. (%) | Power Factor | Lamp Current Crest Factor Max. | BEF |
|-----------|--------------|-------------------|------------------|-----------------------|----------------------|--------------------------|----------------|--------------|--------------|--------------------------------|------|
| PLT-32W | 2 | 120 | 32 | -22/-30 | 0.57 | 70 | 0.84 | 10 | 0.99 | 1.7 | 1.20 |
| | | 230 | | | 0.31 | | | 10 | 0.99 | | |
| | | 277 | | | 0.25 | | | 10 | 0.99 | | |
| | 1 | 120 | | | 0.29 | 34 | 0.88 | 10 | 0.99 | | |
| | | 230 | | | 0.15 | | | 15 | 0.97 | | |
| | | 277 | | | 0.13 | | | 30 | 0.95 | | |
| PLT-26W | 2 | 120 | 26 | -22/-30 | 0.5 | 59 | 0.93 | 10 | 0.99 | 1.7 | 1.58 |
| | | 230 | | | 0.26 | | | 15 | 0.98 | | |
| | | 277 | | | 0.22 | | | 20 | 0.97 | | |
| | 1 | 120 | | | 0.25 | 30 | 1 | 10 | 0.99 | | |
| | | 230 | | | 0.14 | | | 10 | 0.97 | | |
| | | 277 | | | 0.11 | | | 10 | 0.95 | | |
| PLL-36W | 2 | 120 | 36 | -22/-30 | 0.52 | 62 | 0.81 | 10 | 0.99 | 1.7 | 1.31 |
| | | 230 | | | 0.27 | | | 15 | 0.98 | | |
| | | 277 | | | 0.23 | | | 15 | 0.98 | | |
| | 1 | 120 | | | 0.29 | 34 | 0.83 | 10 | 0.99 | | |
| | | 230 | | | 0.15 | | | 15 | 0.97 | | |
| | | 277 | | | 0.13 | | | 30 | 0.95 | | |
| PLL-24W | 2 | 120 | 24 | -22/-30 | 0.45 | 54 | 0.88 | 10 | 0.99 | 1.7 | 1.63 |
| | | 230 | | | 0.24 | | | 15 | 0.98 | | |
| | | 277 | | | 0.21 | | | 20 | 0.97 | | |
| | 1 | 120 | | | 0.24 | 28 | 0.92 | 10 | 0.99 | | |
| | | 230 | | | 0.13 | | | 10 | 0.97 | | |
| | | 277 | | | 0.11 | | | 10 | 0.95 | | |
| 21WT5 | 2 | 120 | 21 | -22/-30 | 0.54 | 64 | 1.24 | 10 | 0.99 | 1.7 | 1.94 |
| | | 230 | | | 0.28 | | | 10 | 0.99 | | |
| | | 277 | | | 0.24 | | | 15 | 0.98 | | |
| | 1 | 120 | | | 0.27 | 32 | 1.25 | 10 | 0.99 | | |
| | | 230 | | | 0.14 | | | 15 | 0.97 | | |
| | | 277 | | | 0.13 | | | 30 | 0.95 | | |
| 2D28W | 2 | 120 | 28 | -22/-30 | 0.5 | 60 | 1 | 10 | 0.99 | 1.7 | 1.67 |
| | | 230 | | | 0.27 | | | 15 | 0.98 | | |
| | | 277 | | | 0.23 | | | 15 | 0.98 | | |
| | 1 | 120 | | | 0.27 | 32 | 1.1 | 10 | 0.99 | | |
| | | 230 | | | 0.14 | | | 15 | 0.97 | | |
| | | 277 | | | 0.13 | | | 30 | 0.95 | | |



Electrical Specification with Different Lamps

| Lamp Type | No. of Lamps | Input Voltage (V) | Rated Lamp Watts | Start Temp Min. (F/C) | Input Current (Amps) | Input Power (ANSI Watts) | Ballast Factor | THD Max. (%) | Power Factor | Lamp Current Crest Factor Max. | BEF |
|-----------|--------------|-------------------|------------------|-----------------------|----------------------|--------------------------|----------------|--------------|--------------|--------------------------------|------|
| 2D21W | 2 | 120 | 21 | -22/-30 | 0.39 | 46 | 1.02 | 10 | 0.99 | 1.7 | 2.22 |
| | | 230 | | | 0.21 | | | 15 | 0.98 | | |
| | | 277 | | | 0.18 | | | 20 | 0.97 | | |
| | 1 | 120 | | | 0.21 | 25 | 1.15 | 10 | 0.99 | | 4.60 |
| | | 230 | | | 0.11 | | | 20 | 0.97 | | |
| | | 277 | | | 0.1 | | | 50 | 0.91 | | |
| PLT-42W | 1 | 120 | 42 | -22/-30 | 0.39 | 46 | 0.88 | 10 | 0.99 | 1.7 | 1.91 |
| | | 230 | | | 0.21 | | | 15 | 0.98 | | |
| | | 277 | | | 0.18 | | | 20 | 0.97 | | |
| PLL-50W | 1 | 120 | 50 | -22/-30 | 0.4 | 48 | 0.8 | 10 | 0.99 | 1.7 | 1.67 |
| | | 230 | | | 0.21 | | | 15 | 0.98 | | |
| | | 277 | | | 0.18 | | | 20 | 0.97 | | |
| PLL-40W | 1 | 120 | 40 | -22/-30 | 0.36 | 43 | 1.01 | 10 | 0.99 | 1.7 | 2.35 |
| | | 230 | | | 0.19 | | | 15 | 0.98 | | |
| | | 277 | | | 0.17 | | | 30 | 0.96 | | |