



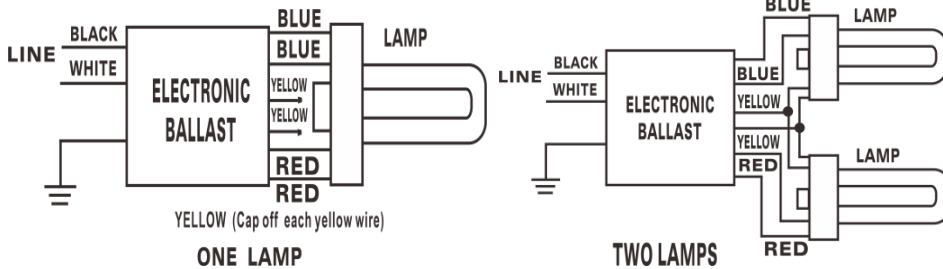
|                        |   |
|------------------------|---|
| <b>Model Name</b>      | TSD-B42PMS  |
| <b>Ballast Type</b>    | Electronic  |
| <b>Starting Method</b> | Program Start   |
| <b>Lamp connection</b> | Series  |
| <b>Input Voltage</b>   | 347V  |
| <b>Input Frequency</b> | 60Hz  |
| <b>Warranty</b>        | 5 Years $TC \leq 75^{\circ}C$<br>3 Years $75^{\circ}C \leq TC \leq 90^{\circ}C$ |

## Safety & Performance



- One or Two lamps
- UL/cUL Listed
- UL Type 1 Outdoor
- FCC part 18 Class A
- Sound Rated Class A
- Class P Thermally Protected
- High Power Factor
- Surge Protected
- Auto Restart
- No PCBs
- Type HL

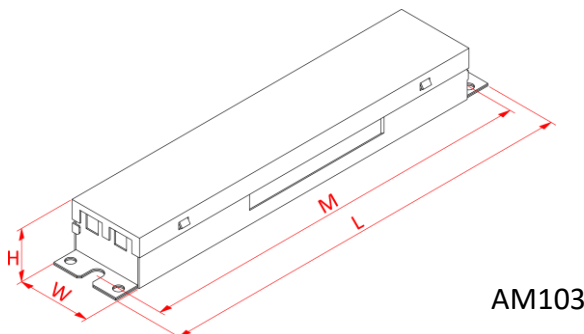
## Wire Diagram



| Lead Length | Inch | Cm   |
|-------------|------|------|
| Black       | 18.8 | 48   |
| White       | 18.8 | 48   |
| Blue        | 30.9 | 78.5 |
| Red         | 30.9 | 78.5 |
| Yellow      | 46.4 | 118  |

Maximum Wiring Distance (at full load) is 18AWG/18Feet  
Case must be grounded

## Enclosure



AM103

| Enclosure   | Inch | Cm   |
|-------------|------|------|
| Length(L)   | 9.5  | 24.1 |
| Width(W)    | 1.7  | 4.3  |
| Height(H)   | 1.2  | 3.05 |
| Mounting(M) | 8.9  | 22.6 |



## Electrical Specification with Different Lamps

| Lamp Type | No. of Lamps | Input Voltage (V) | Rated Lamp Watts | Start Temp Min. (F/C) | Input Current (Amps) | Input Power (ANSI Watts) | Ballast Factor | THD Max. (%) | Power Factor | Lamp Current Crest Factor Max. | BEF  |
|-----------|--------------|-------------------|------------------|-----------------------|----------------------|--------------------------|----------------|--------------|--------------|--------------------------------|------|
| PLT-42W   | 2            | 347               | 42               | -22/-30               | 0.24                 | 84                       | 0.83           | 15           | 0.99         | 1.7                            | 0.99 |
|           | 1            |                   |                  |                       | 0.12                 | 43                       | 0.86           | 20           | 0.99         |                                | 2.00 |
| PLT-32W   | 2            | 347               | 32               | -22/-30               | 0.19                 | 65                       | 0.88           | 15           | 0.99         | 1.7                            | 1.35 |
|           | 1            |                   |                  |                       | 0.1                  | 35                       | 0.9            | 20           | 0.99         |                                | 2.57 |
| PLT-26W   | 2            | 347               | 26               | -22/-30               | 0.15                 | 53                       | 0.92           | 15           | 0.99         | 1.7                            | 1.74 |