



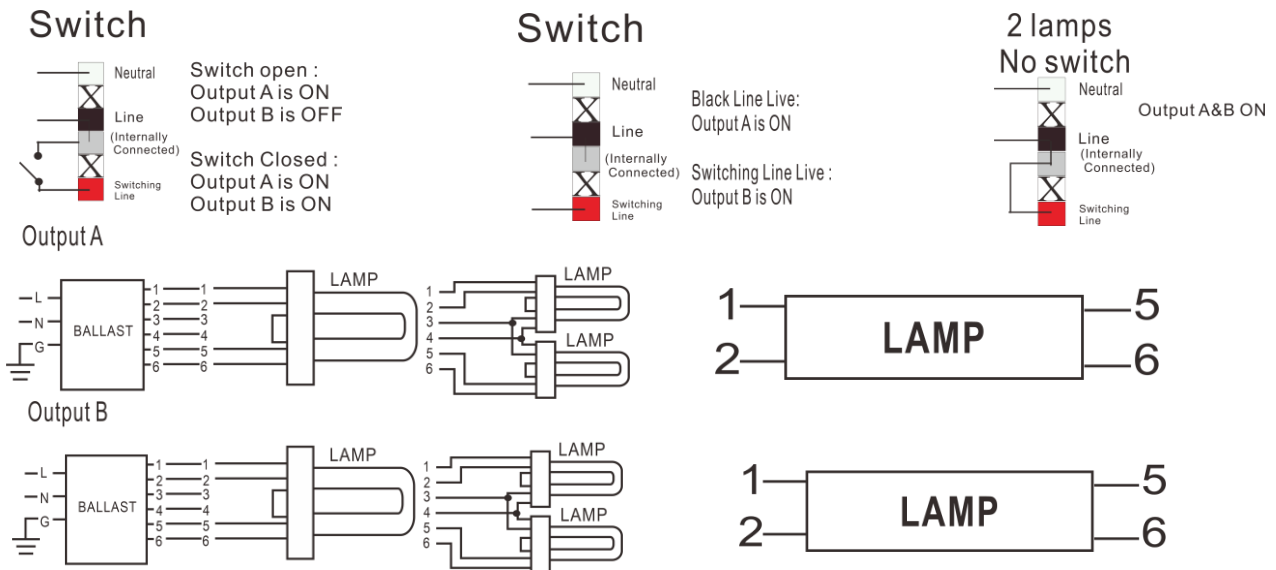
|                        |   |
|------------------------|---|
| <b>Model Name</b>      | ESS-396PBXSX2   |
| <b>Ballast Type</b>    | Electronic  |
| <b>Starting Method</b> | Program Start   |
| <b>Lamp connection</b> | Series  |
| <b>Input Voltage</b>   | 347V  |
| <b>Input Frequency</b> | 60Hz  |
| <b>Warranty</b>        | 5 Years $TC \leq 75^{\circ}C$<br>3 Years $75^{\circ}C \leq TC \leq 90^{\circ}C$ |

## Safety & Performance



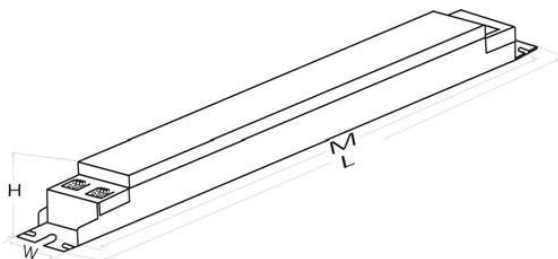
- One or Two lamps
- UL/cUL Listed
- UL Type 1 Outdoor
- FCC part 18 Class A
- Sound Rated Class A
- Class P Thermally Protected
- High Power Factor
- Surge Protected
- Auto Restart
- No PCBs
- Type HL

## Wire Diagram



Maximum Wiring Distance (at full load) is 18AWG/18Feet  
Case must be grounded

## Enclosure



AM94

| Enclosure   | Inch | Cm   |
|-------------|------|------|
| Length(L)   | 12.8 | 32.5 |
| Width(W)    | 2.52 | 6.4  |
| Height(H)   | 1.16 | 2.95 |
| Mounting(M) | 12.5 | 31.7 |



## Electrical Specification with Different Lamps

| Lamp Type | No. of Lamps | Input Voltage (V) | Rated Lamp Watts | Start Temp Min. (F/C) | Input Current (Amps) | Input Power (ANSI Watts) | Ballast Factor | THD Max. (%) | Power Factor | Lamp Current Crest Factor Max. | BEF  |
|-----------|--------------|-------------------|------------------|-----------------------|----------------------|--------------------------|----------------|--------------|--------------|--------------------------------|------|
| PLL96W    | 2            | 347               | 96               | -22/-30               | 0.58                 | 202                      | 0.90           | 10           | 0.99         | 1.7                            | 0.45 |
|           | 1            |                   |                  |                       | 0.29                 | 101                      | 0.90           | 15           | 0.98         |                                | 0.89 |
| 80W T5    | 2            | 347               | 80               | -22/-30               | 0.47                 | 162                      | 0.89           | 10           | 0.99         | 1.7                            | 0.55 |
|           | 1            |                   |                  |                       | 0.24                 | 81                       | 0.89           | 15           | 0.97         |                                | 1.10 |