



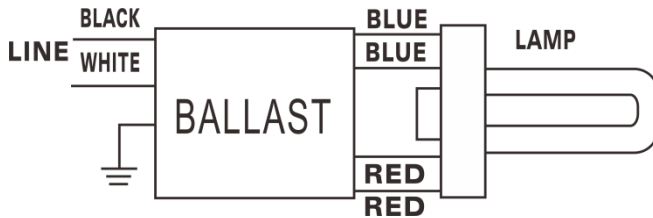
<b>Model Name</b>	TSS-UV55PBXMS
<b>Ballast Type</b>	Electronic
<b>Starting Method</b>	Program Start
<b>Lamp connection</b>	Series
<b>Input Voltage</b>	120-277V
<b>Input Frequency</b>	50/60Hz
<b>Warranty</b>	5 Years $TC \leq 75^{\circ}C$ 3 Years $75^{\circ}C \leq TC \leq 90^{\circ}C$

## Safety & Performance



- One lamp
- UL/cUL Listed
- UL Type 1 Outdoor
- FCC part 18 Class A
- Sound Rated Class A
- Class P Thermally Protected
- High Power Factor
- Surge Protected
- Auto Restart
- No PCBs
- Type HL

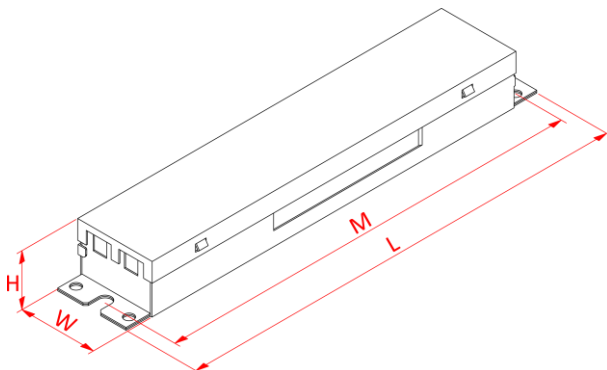
## Wire Diagram



	Inch	Cm
Black	18.8	48
White	18.8	48
Blue	18.8	48
Red	18.8	48

Maximum Wiring Distance (at full load) is 18AWG/18Feet  
Case must be grounded

## Enclosure



AM103

Enclosure	Inch	Cm
Length(L)	9.5	24.1
Width(W)	1.7	4.3
Height(H)	1.2	3.05
Mounting(M)	8.9	22.6



**Electrical Specification with Different Lamps**

Lamp Type	No. of Lamps	Input Voltage (V)	Rated Lamp Watts	Start Temp Min. (F/C)	Input Current (Amps)	Input Power (ANSI Watts)	Ballast Factor	THD Max. (%)	Power Factor	Lamp Current Crest Factor Max.	BEF
PLL55W	1	120	55	-22/-30	0.46	55	0.86	10	0.99	1.7	1.56
		230			0.23			10	0.99		
		277			0.2			10	0.98		
54WT5	1	120	54	-22/-30	0.5	60	0.98	10	0.99	1.7	1.63
		230			0.2			10	0.99		
		277			0.23			15	0.97		
PLL50W	1	120	50	-22/-30	0.46	55	0.91	10	0.99	1.7	1.65
		230			0.23			10	0.99		
		277			0.2			10	0.98		
39WT5	1	120	39	-22/-30	0.35	40	0.85	10	0.99	1.7	2.13
		230			0.17			15	0.98		
		277			0.14			15	0.97		