



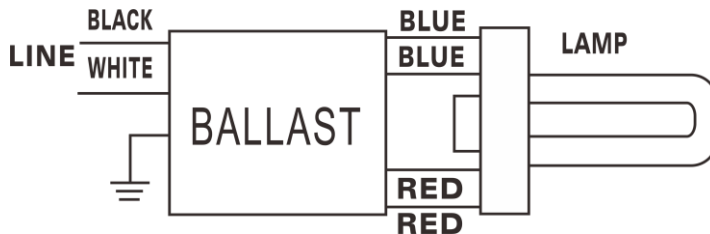
Model Name	TSS-355PBXMS
Ballast Type	Electronic
Starting Method	Program Start
Lamp connection	Series
Input Voltage	347V
Input Frequency	60Hz
Warranty	5 Years $TC \leq 75^{\circ}C$ 3 Years $75^{\circ}C \leq TC \leq 90^{\circ}C$

Safety & Performance



- One lamp
- Sound Rated Class A
- Auto Restart
- UL/cUL Listed
- Class P Thermally Protected
- No PCBs
- UL Type 1 Outdoor
- High Power Factor
- Type HL
- FCC part 18 Class A
- Surge Protected

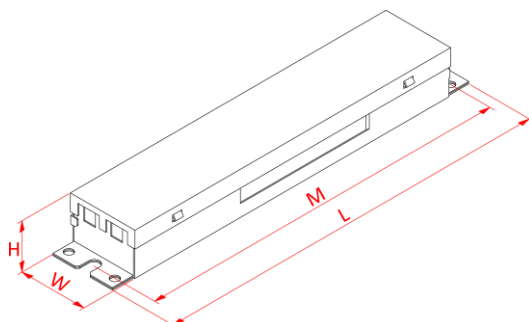
Wire Diagram



	Inch	Cm
Black	18.8	48
White	18.8	48
Blue	18.8	48
Red	18.8	48

Maximum Wiring Distance (at full load) is 18AWG/18Feet
Case must be grounded

Enclosure



AM103

Enclosure	Inch	Cm
Length(L)	9.5	24.1
Width(W)	1.7	4.3
Height(H)	1.2	3.05
Mounting(M)	8.9	22.6



Electrical Specification with Different Lamps

Lamp Type	No. of Lamps	Input Voltage (V)	Rated Lamp Watts	Start Temp Min. (F/C)	Input Current (Amps)	Input Power (ANSI Watts)	Ballast Factor	THD Max. (%)	Power Factor	Lamp Current Crest Factor Max.	BEF
PLL55W	1	347	55	-22/-30	0.16	55	0.86	15	0.97	1.7	1.56
54WT5	1	347	54	-22/-30	0.18	62	1.02	15	0.98	1.7	1.65
PLL50W	1	347	50	-22/-30	0.16	55	0.91	15	0.97	1.7	1.65
39WT5	1	347	39	-22/-30	0.12	40	0.85	15	0.96	1.7	2.13