



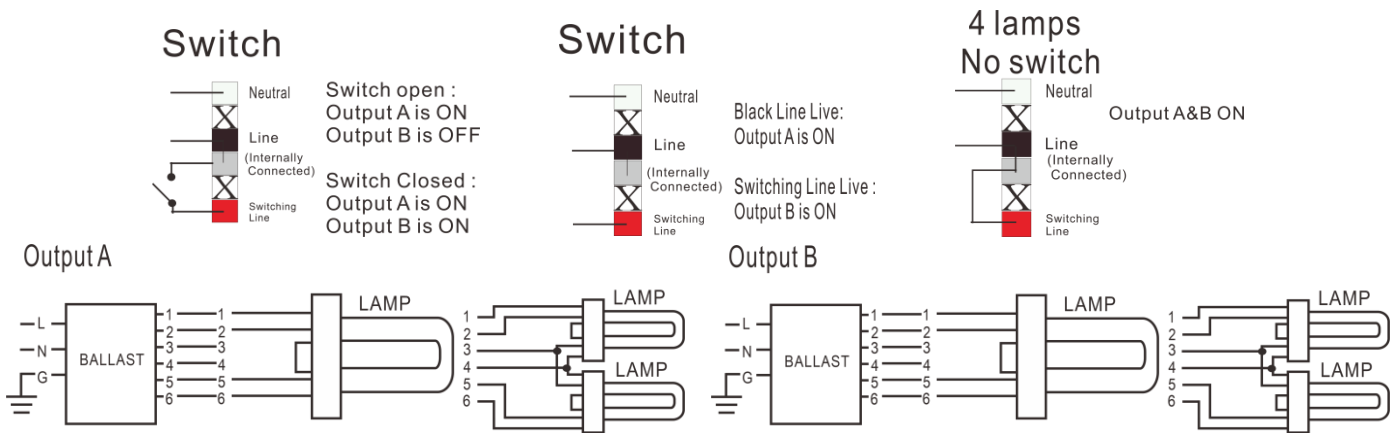
<b>Model Name</b>	<b>ESD-A40PBXs2</b>
<b>Ballast Type</b>	Electronic
<b>Starting Method</b>	Program Start
<b>Lamp connection</b>	Series
<b>Input Voltage</b>	120-277V
<b>Input Frequency</b>	50/60Hz
<b>Warranty</b>	5 Years $TC \leq 75^{\circ}C$ 3 Years $75^{\circ}C \leq TC \leq 90^{\circ}C$

## Safety & Performance



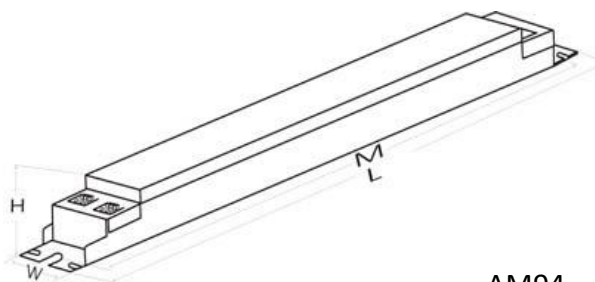
- Maximum Four lamps
- UL/cUL Listed
- UL Type 1 Outdoor
- FCC part 18 Class A
- Sound Rated Class A
- Class P Thermally Protected
- High Power Factor
- Surge Protected
- Auto Restart
- No PCBs
- Type HL

## Wire Diagram



Maximum Wiring Distance (at full load) is 18AWG/18Feet  
Case must be grounded

## Enclosure



AM94

Enclosure	Inch	Cm
Length(L)	12.8	32.5
Width(W)	2.52	6.4
Height(H)	1.16	2.95
Mounting(M)	12.5	31.7



## Electrical Specification with Different Lamps

Lamp Type	No. of Lamps	Input Voltage (V)	Rated Lamp Watts	Start Temp Min. (F/C)	Input Current (Amps)	Input Power (ANSI Watts)	Ballast Factor	THD Max. (%)	Power Factor	Lamp Current Crest Factor Max.	BEF	
PLL40W	4	120	40	-22/-30	1.38	170	1.00	10	0.99	1.7	0.59	
		230			0.75			10	0.99			
		277			0.59			10	0.98			
	3	120			1.20	143	1.02	10	0.99			
		230			0.63			10	0.98			
		277			0.53			10	0.98			
	2	120		0.98	-22/-30	116	1.00	10	0.99	1.7	0.86	
		230		0.51				10	0.99			
		277		0.43				15	0.98			
	1	120		0.75		89	1.01	10	0.99		1.7	1.13
		230		0.39				15	0.98			
		277		0.33				20	0.97			
PLL39W	2	120	39	-22/-30	1.17	139	0.68	10	0.99	1.7	0.49	
		230			0.62			10	0.99			
		277			0.51			10	0.98			
	1	120			1.01	120	0.69	10	0.99		1.7	0.58
		230			0.53			10	0.98			
		277			0.44			15	0.98			
	2	120		0.84	-22/-30	100	0.68	10	0.99	1.7		0.68
		230		0.44				15	0.99			
		277		0.37				15	0.97			
	1	120		0.68		81	0.70	10	0.99		1.7	0.86
		230		0.36				15	0.98			
		277		0.30				20	0.97			



## Electrical Specification with Different Lamps

Lamp Type	No. of Lamps	Input Voltage (V)	Rated Lamp Watts	Start Temp Min. (F/C)	Input Current (Amps)	Input Power (ANSI Watts)	Ballast Factor	THD Max. (%)	Power Factor	Lamp Current Crest Factor Max.	BEF
PLL36W	4	120	36	-22/-30	1.12	134	0.68	10	0.99	1.7	0.51
		230			0.59			10	0.99		
		277			0.49			10	0.98		
	3	120			0.97	115	0.68	10	0.99		
		230			0.51			10	0.98		
		277			0.42			15	0.98		
	2	120		0.82	-22/-30	97	0.68	10	0.99	1.7	0.70
		230		0.43				15	0.99		
		277		0.36				15	0.97		
	1	120		0.67		80	0.72	10	0.99		0.90
		230		0.35				15	0.98		
		277		0.29				20	0.97		
FT40DL /28W	4	120	28	-22/-30	1.32	157	1.00	10	0.99	1.7	0.64
		230			0.70			10	0.99		
		277			0.58			10	0.98		
	3	120			1.12	133	1.02	10	0.99		0.77
		230			0.59			10	0.98		
		277			0.49			10	0.98		
	2	120		0.92	-22/-30	109	1.00	10	0.99	1.7	0.92
		230		0.48				10	0.99		
		277		0.40				15	0.98		
	1	120		0.72		85	1.02	10	0.99		1.20
		230		0.38				15	0.98		
		277		0.31				20	0.97		