



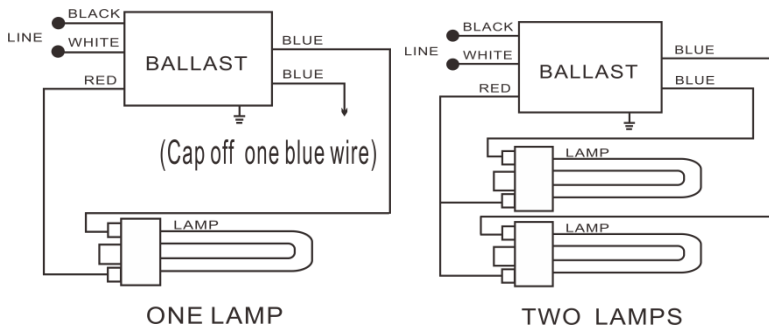
Model Name	EPD-A40PBXM-E
Ballast Type	Electronic
Starting Method	Instant Start
Lamp connection	Parallel-EOL
Input Voltage	120-277V
Input Frequency	50/60Hz
Warranty	5 Years $TC \leq 75^{\circ}C$ 3 Years $75^{\circ}C \leq TC \leq 90^{\circ}C$

Safety & Performance



- One or Two lamps
- UL/cUL Listed
- UL Type 1 Outdoor
- FCC part 18 Class A
- Sound Rated Class A
- Class P Thermally Protected
- High Power Factor
- Surge Protected
- Auto Restart
- No PCBs
- Type HL

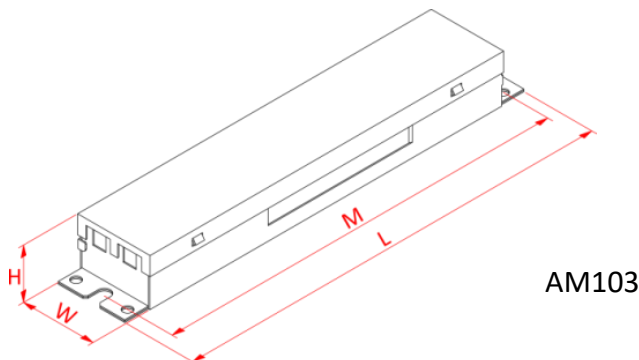
Wire Diagram



Lead Length	Inch	Cm
Black	18.8	48
White	18.8	48
Blue	30.9	78.5
Red	46.4	118

Maximum Wiring Distance (at full load) is 18AWG/18Feet
Case must be grounded

Enclosure



Enclosure	Inch	Cm
Length(L)	9.5	24.1
Width(W)	1.7	4.3
Height(H)	1.2	3.05
Mounting(M)	8.9	22.6



Electrical Specification with Different Lamps

Lamp Type	No. of Lamps	Input Voltage (V)	Rated Lamp Watts	Start Temp Min. (F/C)	Input Current (Amps)	Input Power (ANSI Watts)	Ballast Factor	THD Max. (%)	Power Factor	Lamp Current Crest Factor Max.	BEF
FT40W	2	120	40	0/-18	0.61	68	0.88	10	0.99	1.7	1.29
		230			0.30			10	0.99		
		277			0.27			15	0.98		
	1	120			0.35	42	0.99	10	0.99		2.36
		230			0.19			15	0.98		
		277			0.15			20	0.97		
FT39W	2	120	39	0/-18	0.49	58	0.63	10	0.99	1.7	1.09
		230			0.26			10	0.99		
		277			0.21			15	0.98		
	1	120			0.29	35	0.78	10	0.99		2.23
		230			0.16			15	0.97		
		277			0.13			20	0.97		
FT36W	2	120	36	0/-18	0.46	55	0.74	10	0.99	1.7	1.35
		230			0.24			15	0.98		
		277			0.20			15	0.98		
	1	120			0.27	32	0.86	15	0.98		2.69
		230			0.14			15	0.97		
		277			0.12			20	0.97		
FT40W/ ES (28W)	2	120	28	0/-18	0.55	65	0.88	10	0.99	1.7	1.35
		230			0.29			10	0.99		
		277			0.24			15	0.98		
	1	120			0.33	39	0.99	10	0.99		2.54
		230			0.17			15	0.98		
		277			0.14			20	0.97		
FT40W/ ES (25W)	2	120	25	0/-18	0.51	60	0.88	10	0.99	1.7	1.47
		230			0.27			10	0.99		
		277			0.22			15	0.98		
	1	120			0.24	28	0.99	15	0.98		3.54
		230			0.12			15	0.97		
		277			0.10			25	0.96		