



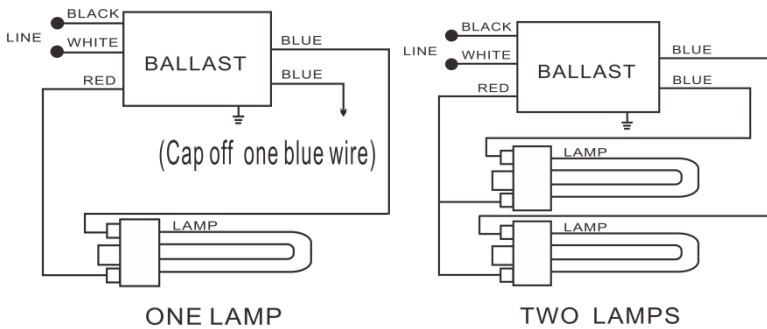
<b>Model Name</b>	EPD-A39PBXM
<b>Ballast Type</b>	Electronic
<b>Starting Method</b>	Instant Start
<b>Lamp connection</b>	Parallel
<b>Input Voltage</b>	120-277V
<b>Input Frequency</b>	50/60Hz
<b>Warranty</b>	5 Years $TC \leq 75^{\circ}C$ 3 Years $75^{\circ}C \leq TC \leq 90^{\circ}C$

## Safety & Performance



- One or Two lamps
- UL/cUL Listed
- UL Type 1 Outdoor
- FCC part 18 Class A
- Sound Rated Class A
- Class P Thermally Protected
- High Power Factor
- Surge Protected
- Auto Restart
- No PCBs
- Type HL

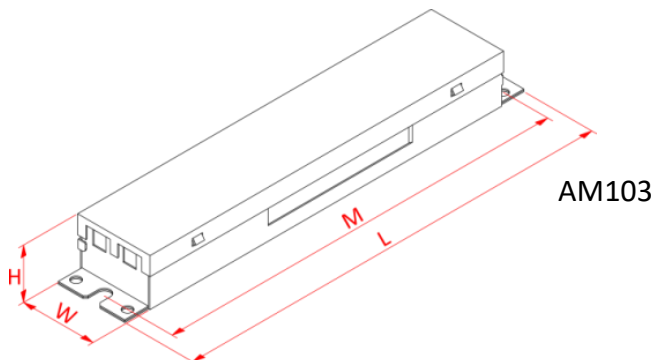
## Wire Diagram



Lead Length	Inch	Cm
Black	18.8	48
White	18.8	48
Blue	30.9	78.5
Red	46.4	118

Maximum Wiring Distance (at full load) is 18AWG/18Feet  
Case must be grounded

## Enclosure



Enclosure	Inch	Cm
Length(L)	9.5	24.1
Width(W)	1.7	4.3
Height(H)	1.2	3.05
Mounting(M)	8.9	22.6



## Electrical Specification with Different Lamps

Lamp Type	No. of Lamps	Input Voltage (V)	Rated Lamp Watts	Start Temp Min. (F/C)	Input Current (Amps)	Input Power (ANSI Watts)	Ballast Factor	THD Max. (%)	Power Factor	Lamp Current Crest Factor Max.	BEF
PLL 39W	2	120	39	0/-18	0.6	72	0.95	10	0.99	1.7	1.32
		230			0.31			10	0.99		
		277			0.26			10	0.98		
	1	120			0.36	44	1.08	10	0.99		2.45
		230			0.2			10	0.99		
		277			0.16			15	0.97		
PLL 36W	2	120	36	0/-18	0.56	68	1.26	10	0.99	1.7	1.85
		230			0.29			10	0.99		
		277			0.25			10	0.99		
	1	120			0.34	42	1.43	10	0.99		3.4
		230			0.18			10	0.99		
		277			0.15			15	0.99		