



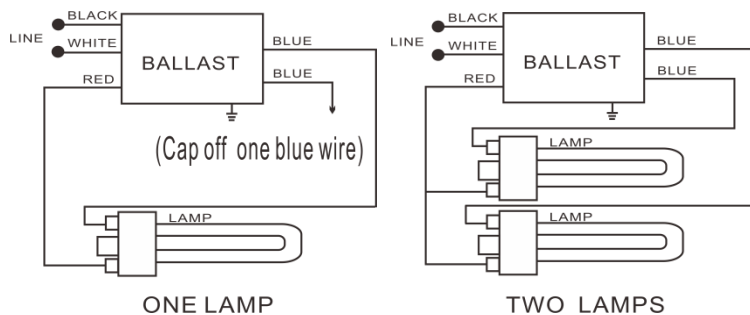
<b>Model Name</b>	EPD-340PBXM-E
<b>Ballast Type</b>	Electronic
<b>Starting Method</b>	Instant Start
<b>Lamp connection</b>	Parallel-EOL
<b>Input Voltage</b>	347V
<b>Input Frequency</b>	60Hz
<b>Warranty</b>	5 Years $TC \leq 75^{\circ}C$ 3 Years $75^{\circ}C \leq TC \leq 90^{\circ}C$

## Safety & Performance



- One or Two lamps
- UL/cUL Listed
- UL Type 1 Outdoor
- FCC part 18 Class A
- Sound Rated Class A
- Class P Thermally Protected
- High Power Factor
- Surge Protected
- Auto Restart
- No PCBs
- Type HL

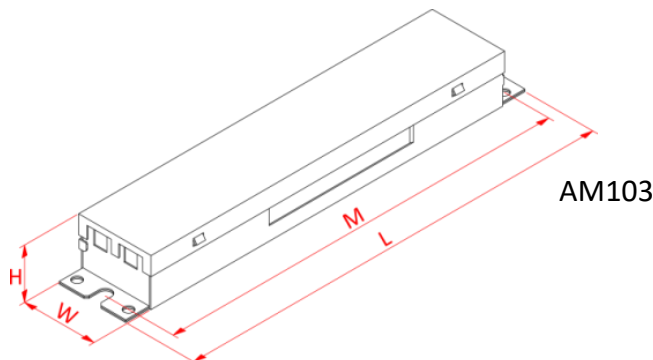
## Wire Diagram



Lead Length	Inch	Cm
Black	18.8	48
White	18.8	48
Blue	30.9	78.5
Red	46.4	118

Maximum Wiring Distance (at full load) is 18AWG/18Feet  
Case must be grounded

## Enclosure



Enclosure	Inch	Cm
Length(L)	9.5	24.1
Width(W)	1.7	4.3
Height(H)	1.2	3.05
Mounting(M)	8.9	22.6



## Electrical Specification with Different Lamps

Lamp Type	No. of Lamps	Input Voltage (V)	Rated Lamp Watts	Start Temp Min. (F/C)	Input Current (Amps)	Input Power (ANSI Watts)	Ballast Factor	THD Max. (%)	Power Factor	Lamp Current Crest Factor Max.	BEF
PLL 40W	2	347	40	0/-18	0.196	68	0.88	10	0.99	1.7	1.29
	1				0.12	41	1.05	15	0.98		2.56
PLL 39W	2	347	39	0/-18	0.16	56	0.68	10	0.99	1.7	1.21
	1				0.1	35	0.8	15	0.98		2.29
PLL 36W	2	347	36	0/-18	0.156	54	0.78	10	0.99	1.7	1.44
	1				0.1	34	0.89	15	0.98		2.62
FT40/ES (28W)	2	347	28	0/-18	0.18	63	0.88	10	0.99	1.7	1.40
	1				0.11	38	1.05	20	0.99		2.76
FT40/ES (25W)	2	347	25	0/-18	0.17	58	0.88	10	0.99	1.7	1.52
	1				0.1	35	1.05	20	0.99		3.00