



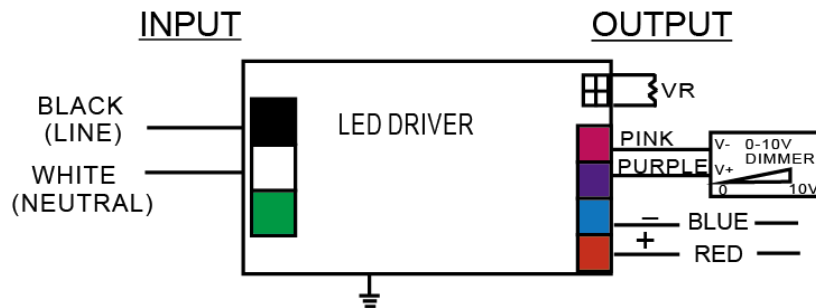
<b>Model Name</b>	RAC1500S54D 1100
<b>Output Mode</b>	Constant Current
<b>Input Voltage</b>	120-277 Vac
<b>Input Frequency</b>	50/60 Hz
<b>Dimming</b>	3 in 1 (PWM,1-10V,Resistance) 1-100% Dimming
<b>Surge Rating</b>	3KV
<b>Warranty</b>	5 Years TC $\leq$ 75°C 3 Years 75°C $\leq$ TC $\leq$ 90°C

## Product Specification



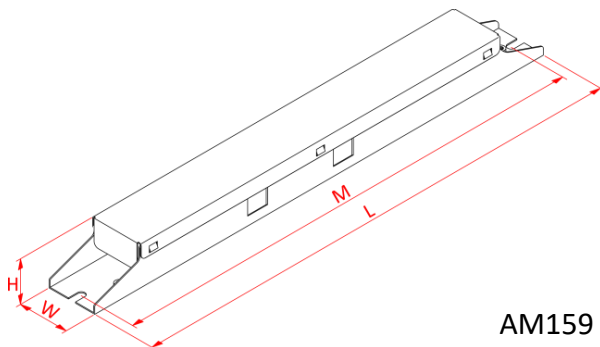
Output Power (W)	Output Voltage (V)	Output Current (A)	Start Temp. (°F/°C)	Tcase Temp. (°F/°C)	Input Current (A)	Input Power (W)	Inrush Current (A)	THD (%)	Power Factor	Efficiency (%)
Max. 54	27-55	0.75-1.1	Min. -40/-40	Max. 194/90	0.58@120V 0.25@277V	63	Max. 30	Max. 20	Min. 0.9	Typ. 86

## Wire Diagram



Maximum wiring distance (at full load) is 18AWG/18Feet  
LED case should be grounded

## Enclosure



AM159

Enclosure	Inch	Cm
Length(L)	12.4	31.4
Width(W)	1.3	3.4
Height(H)	1.08	2.75
Mounting(M)	11.9	30.1