



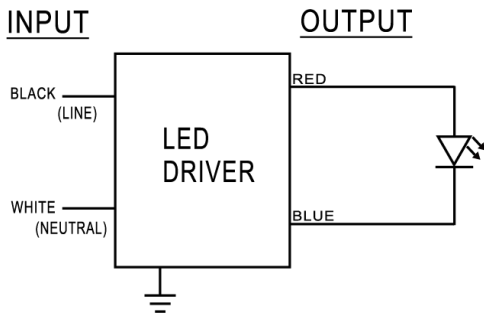
<b>Model Name</b>	AC500S5M
<b>Output Mode</b>	Constant Current
<b>Input Voltage</b>	120-277 Vac
<b>Input Frequency</b>	50/60 Hz
<b>Dimming</b>	NA
<b>Surge Rating</b>	2KV
<b>Warranty</b>	5 Years $TC \leq 75^{\circ}C$ 3 Years $75^{\circ}C \leq TC \leq 90^{\circ}C$

## Product Specification



Output Power (W)	Output Voltage (V)	Output Current (A)	Start Temp. ( $^{\circ}F/^{\circ}C$ )	Tcase Temp. ( $^{\circ}F/^{\circ}C$ )	Input Current (A)	Input Power (W)	Inrush Current (A)	THD (%)	Power Factor	Efficiency (%)
Max. 5	6-10	0.5	Min -40/-40	Max. 194/90	0.06@120V 0.03@277V	6	Max. 20	Max. 20	Min. 0.9	Typ. 83

## Wire Diagram

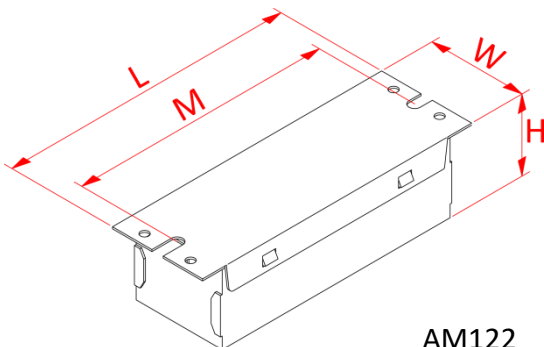


Maximum Wiring Distance (at full load) is 18AWG/18Feet

LED case should be grounded

Lead Length	Inch	Cm
Black	6	15.2
White	6	15.2
Green	NA	NA
Red	6	15.2
Blue	6	15.2
Purple	NA	NA
Pink	NA	NA

## Enclosure



AM122

Enclosure	Inch	Cm
Length(L)	4.21	10.7
Width(W)	1.42	3.6
Height(H)	1.14	2.9
Mounting(M)	3.9	9.9