



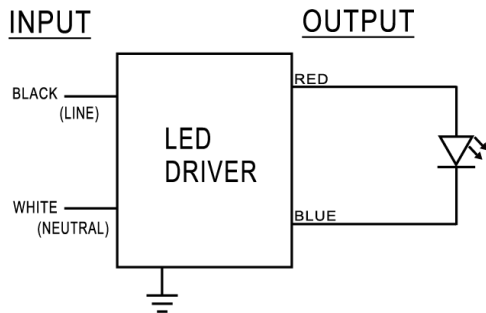
|                        |   |
|------------------------|---|
| <b>Model Name</b>      | AC1050S5M   |
| <b>Output Mode</b>     | Constant Current  |
| <b>Input Voltage</b>   | 120-277 Vac   |
| <b>Input Frequency</b> | 50/60 Hz  |
| <b>Dimming</b>         | NA  |
| <b>Surge Rating</b>    | 2KV   |
| <b>Warranty</b>        | 5 Years $TC \leq 75^{\circ}C$<br>3 Years $75^{\circ}C \leq TC \leq 90^{\circ}C$ |

## Product Specification



| Output Power (W) | Output Voltage (V) | Output Current (A) | Start Temp. ( $^{\circ}F/^{\circ}C$ ) | Tcase Temp. ( $^{\circ}F/^{\circ}C$ ) | Input Current (A)      | Input Power (W) | Inrush Current (A) | THD (%) | Power Factor | Efficiency (%) |
|------------------|--------------------|--------------------|---------------------------------------|---------------------------------------|------------------------|-----------------|--------------------|---------|--------------|----------------|
| Max. 5           | 3-5                | 1.05               | Min -40/-40                           | Max. 194/90                           | 0.07@120V<br>0.03@277V | 6               | Max. 20            | Max. 20 | Min. 0.9     | Typ. 77        |

## Wire Diagram

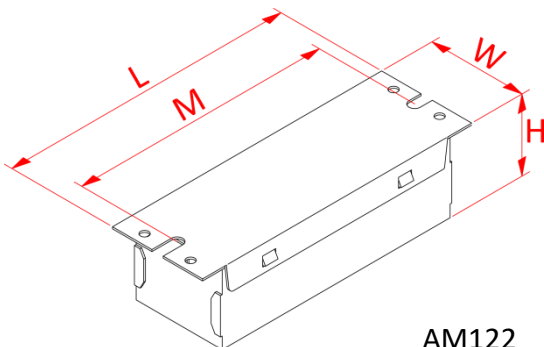


Maximum Wiring Distance (at full load) is 18AWG/18Feet

LED case should be grounded

| Lead Length | Inch | Cm   |
|-------------|------|------|
| Black       | 6    | 15.2 |
| White       | 6    | 15.2 |
| Green       | NA   | NA   |
| Red         | 6    | 15.2 |
| Blue        | 6    | 15.2 |
| Purple      | NA   | NA   |
| Pink        | NA   | NA   |

## Enclosure



AM122

| Enclosure   | Inch | Cm   |
|-------------|------|------|
| Length(L)   | 4.21 | 10.7 |
| Width(W)    | 1.42 | 3.6  |
| Height(H)   | 1.14 | 2.9  |
| Mounting(M) | 3.9  | 9.9  |