



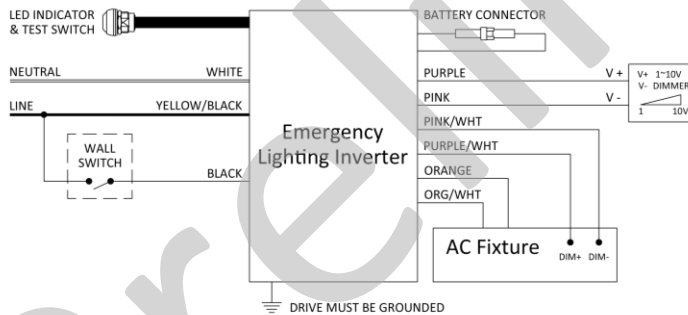
Model Name	IEMMP100-AC120/347
Output Mode	Pure Sine Wave
Input Voltage	120 - 347 Vac Universal Input
Input Frequency	50/60 Hz
Surge Immunity	6 kVpk for Ringwave, 6 kVpk for Combination Wave *Per ANSI/IEEE C62.41.2-2002
Features	Auto Dimming (0-10V) Auto Select Output Voltage (120 or 347 Vac)
Warranty	5 Years TC $\leq 60^{\circ}\text{C}$ 3 Years TC $\leq 70^{\circ}\text{C}$

Product Specification

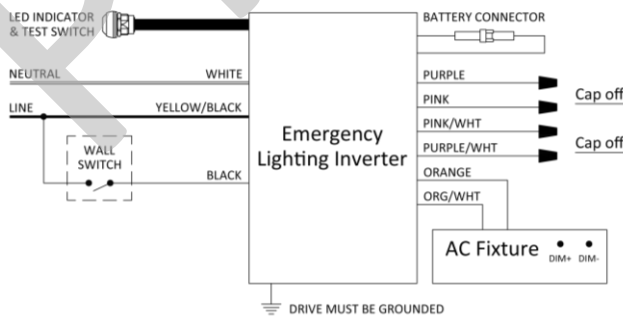


Output Power (W)	Output Voltage (V)	Operating Duration (Minutes)	Operating Temp. ($^{\circ}\text{C}$)	Battery Voltage (V)	Battery Charge Current (mA)	Battery Recharge Time	Input Power (W)	Input Current (mA)	Power Factor
100	120/347	Min. 90	0-50	25.6	Max. 500	24Hrs	Max. 22	Max. 224	>0.9

Wire Diagram



A. With 0-10V dimmer

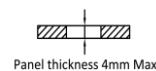


B. Without 0-10V dimmer

Maximum remote wiring distance : 600ft (AWG#14) @full load or 300ft (AWG#18) @full load

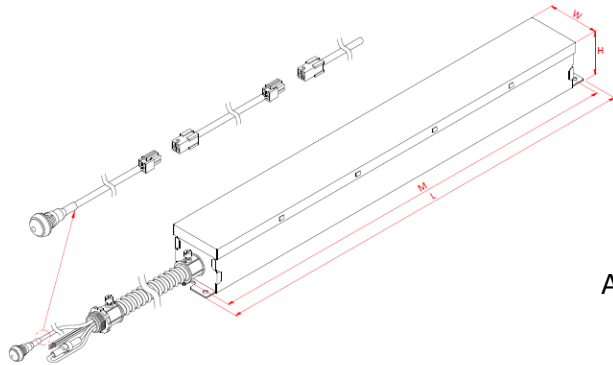
Lead Length	Inch	Cm
White	30.71	78
Yellow/Black	30.71	78
Black	30.71	78
Purple	30.71	78
Pink	30.71	78
Pink/White	30.71	78
Purple/White	30.71	78
Orange	30.71	78
Orange/White	30.71	78
Battery Connector	30.71	78
Test Switch	30.71	78
LED Indicator	23.62	60
Conduit	24	60.96

Mounting hole for test switch














Enclosure



Enclosure	Inch	Cm
Length(L)	19.49	49.5
Width(W)	3.35	8.52
Height(H)	2.2	5.58
Mounting(M)	19.09	48.5



Input Wiring				
Standard	Isolated Pass Relay		Others	
<input type="checkbox"/>	<input type="checkbox"/>			
Power Activate				
Yes <input type="checkbox"/>			No <input type="checkbox"/>	
Output Lead Type				
Standard	Single Conduit	Dual Conduits	Others	
<input type="checkbox"/>	<input type="checkbox"/>	<input type="checkbox"/>		
Test Switch				
Type	Black & Red	White & Red	White & Translucent	Metal
Image	 <small>IP 67</small>	 <small>IP 67</small>	 <small>IP 67</small>	 <small>IP 67</small>
	<input type="checkbox"/> Red Light	<input type="checkbox"/> Red Light	<input type="checkbox"/> Red Light	<input type="checkbox"/> Red Light
Type	PVC Wire	Fire-Resistant Wire	R-Mount	Customization
Image				
	<input type="checkbox"/>	<input type="checkbox"/>	<input type="checkbox"/>	<input type="checkbox"/>
Panel				
Type	White	Metal	No Need	Others
Image	 Push To Test Charging Indicator	 Push To Test Charging Indicator		
	<input type="checkbox"/>	<input type="checkbox"/>	<input type="checkbox"/>	



Input Specifications

Parameter	Min.	Typ.	Max.	Notes
Input Voltage	108V	120/347V	381V	Universal Input
Input Current	-	-	0.224A	@120Vac input with full load
Input Frequency	47Hz	60Hz	63Hz	
Transfer Time	-	-	2.0s	From loss of normal power to transfer to emergency mode
Power Factor		> 0.9		
Input Power	-	-	22W	
Inrush Current		<20A		

Output Specifications

Specification ID	Specification Value	Notes
Output Voltage	Nominal: 120 Vac (+/-5%) Nominal: 347 Vac (+/-5%)	Auto select
Frequency	60 Hz	
Related Output Power	100 W	@ 0.75 leading to 0.75 lagging
Load Power Factor Range	0.75 leading to 0.75 lagging	
Output Configuration Types	Normally on (always on) or, Normally off (emergency only) or, Switched	
Emergency Operation	90 Minutes minimum	@full load
Output Voltage Waveform	Pure sine wave	Resistive load
Output Current THD	Less than 3%	Resistive load

Load Capacity Characteristic

Specification ID	Without 0-10V Dimming	With 0-10V Dimming
Maximum Steady-State Load	≤ 133 VA	≤ 500 W
Emergency Mode Load	≤ 133 VA	Dimmed to ≤ 146 VA
Overload Capacity	146 VA for up to 100 minutes.	0-10V dimming prevents overload



Other Specifications

Specification ID	Specification Value	Notes
Battery Charge Current	400 mA	LiFePO4, 10000 mAh
Battery Voltage	25.6 V	
Battery Recharge Time	24 h	
Compatible Lighting Loads	LED, Fluorescent, Incandescent	
Remote Distance	600 ft. (AWG#14 Wire gage) or 300 ft. (AWG#18 Wire gage)	Remote distance from the inverter to the load is limited by the losses in the wire.
Weight	3.3 kg	
MTBF	100,000 h	@25°C ambient temperature
Lifespan	75,000 h	Under normal use @ Ta = 50°C

Test Switch

Test Switch Operation	
With AC power source alive	
1.	Push and Hold, the unit will transfer from charge mode to discharge mode, the indicator is OFF.
2.	Release the test switch, the unit will back to charge mode automatically, the indicator is ON.

Protection

Parameter	Description
Short Circuit	Auto recovery 10 seconds after the short ckt removed
Over Temperature	Overheat protection with auto recovery feature

Environmental Specifications

Parameter	Min.	Typ.	Max.	Notes
Operation Temperature	0°C	-	50°C	
Storage Temperature	-20°C	-	55°C	
Humidity	10%	-	90%	
T-Case Temperature	-	-	70°C	

Regulatory Compliance

Standards
UL 924 Listed
cUL Listed to CSA C22 No. 141
CEC Title 20 approved
RoHS compliant
FCC Part 15 class A compliant