



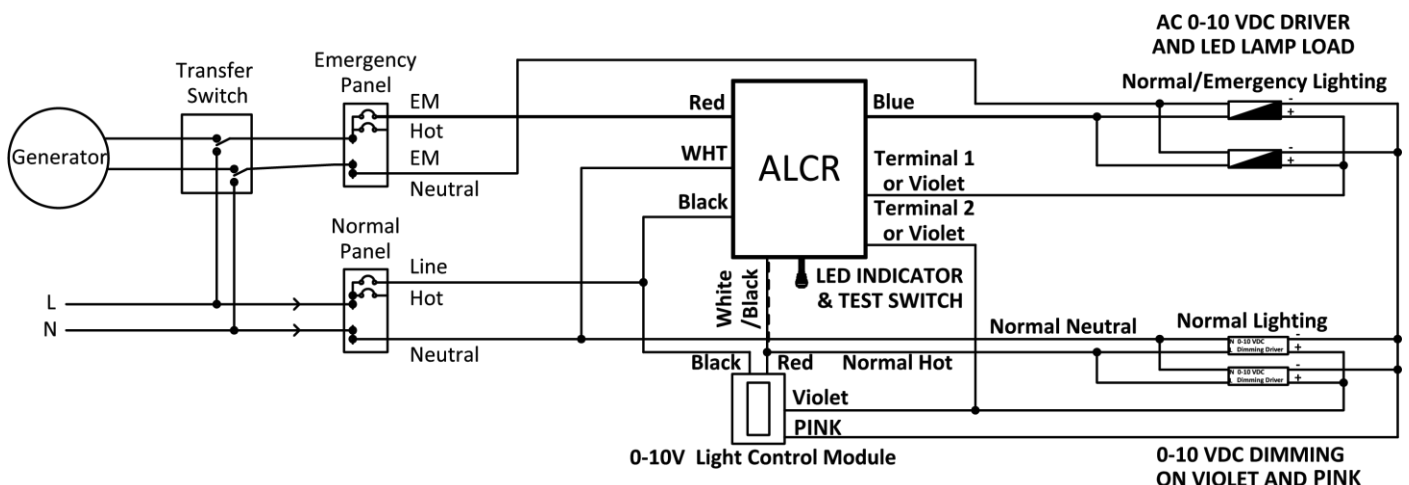
Model Name	ALCR-G20B
Input Voltage	120-277 Vac
Input Frequency	50/60 Hz
Dimming	0-10V
Surge Rating	3KV
Relay Contact Ratings(SPST)	20A @120Vac 20A @277Vac
Warranty	5 Years TC $\leq 60^{\circ}\text{C}$ 3 Years TC $\leq 66^{\circ}\text{C}$

Product Specification

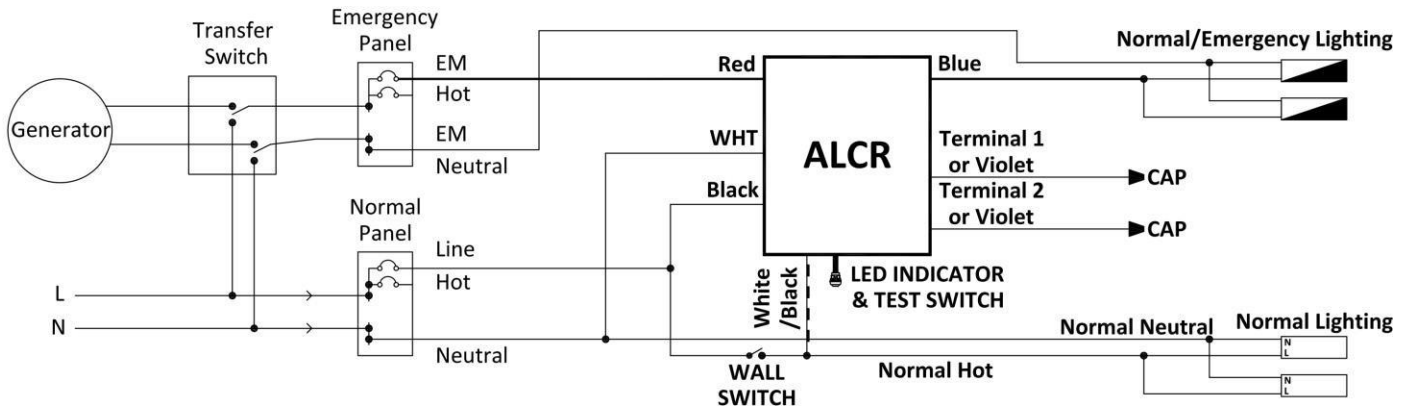


Relay Contact Ratings (SPST) (A) @120V	Relay Contact Ratings (SPST) (A) @277V	Emergency Power Supply Usage (mA)	Dimmer Contact Switching @250V (mA)	Input Power (W)	Input Current (mA)	Operation Temperature ($^{\circ}\text{C}$)
20	20	120	130	Max. 3	Max. 60	-20-65

Wire Diagram

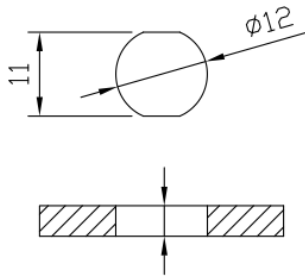


(A) With 0-10V Dimmer



(B) Without Dimmer

Maximum Wiring Distance (at full load) is 18AWG/18Feet

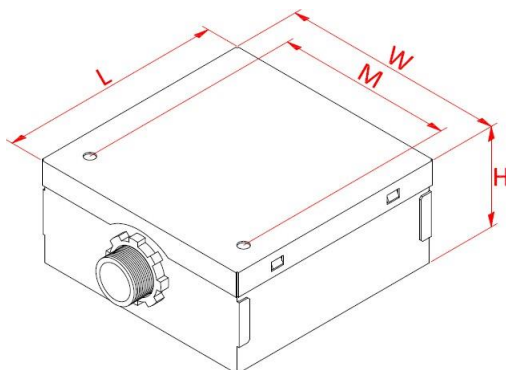


Panel thickness 4mm Max.

Test Switch

Lead Length	Inch	Cm
Black	6	15.2
White	6	15.2
Red	6	15.2
Blue	6	15.2
Violet(Terminal1)	7.08	18
Violet(Terminal2)	7.08	18
Test Switch LED INDICATOR	24/6	61/15.24

Enclosure



AM223

Enclosure	Inch	Cm
Length(L)	4	10.16
Width(W)	4	10.16
Height(H)	1.81	4.6
Mounting(M)	3.13	7.96