



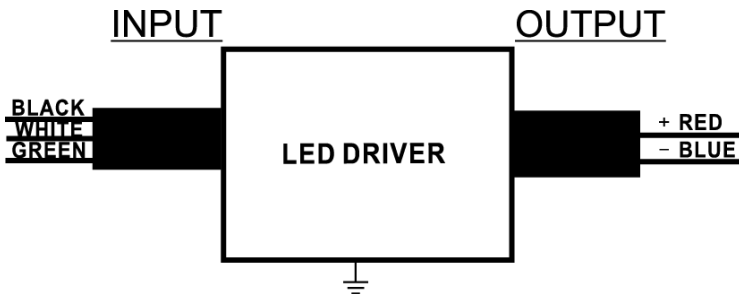
Model Name	AV12S100
Output Model	Constant Voltage
Input Voltage	120-277 Vac
Input Frequency	50/60 Hz
Dimming	N.A.
Surge Rating	2KV
Warranty	5 Years $TC \leq 75^{\circ}C$ 3 Years $75^{\circ}C \leq TC \leq 90^{\circ}C$

Product Specification



Output Power (W)	Output Voltage (V)	Output Current (A)	Start Temp. ($^{\circ}F/^{\circ}C$)	Tcase Temp. ($^{\circ}F/^{\circ}C$)	Input Current (A)	Input Power (W)	Inrush Current (A)	THD (%)	Power Factor	Efficiency (%)
Max. 100	12	0.8-8	Min -40/-40	Max. 194/90	0.98@120V 0.42@277V	111	Max. 40	Max. 20	Min. 0.9	Typ. 89

Wire Diagram



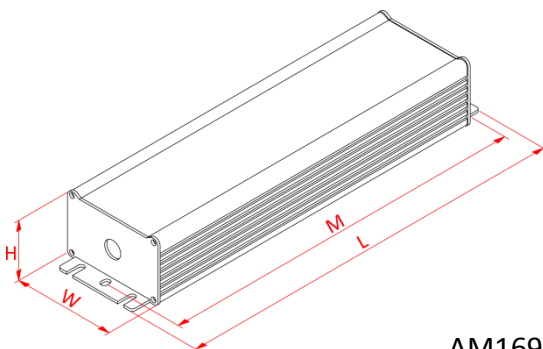
Maximum Wiring Distance (at full load) is 18AWG/18Feet

LED case should be grounded

The driver is suitable for pure LED load only

Lead Length	Inch	Cm
Black	5.9	15
White	5.9	15
Green	5.9	15
Red	5.9	15
Blue	5.9	15

Enclosure



AM169

Enclosure	Inch	Cm
Length(L)	9.50	24.1
Width(W)	2.42	6.15
Height(H)	1.54	3.9
Mounting(M)	8.90	22.6