



Model Name	3V48S100D
Output Model	Constant Voltage
Input Voltage	347 Vac
Input Frequency	50/60 Hz
Dimming	3 in 1 (PWM,1-10V,Resistance) 10-100% Dimming
Surge Rating	2KV
Warranty	5 Years $TC \leq 75^{\circ}C$ 3 Years $75^{\circ}C \leq TC \leq 90^{\circ}C$

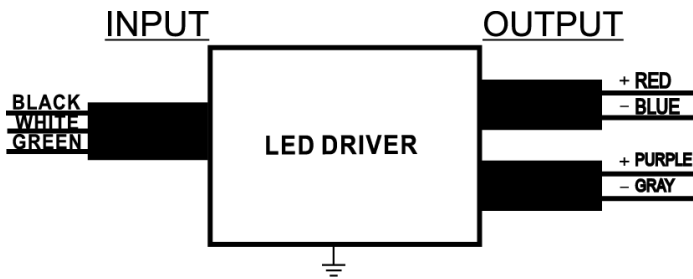
Product Specification



Class2 Type TL

Output Power (W)	Output Voltage (V)	Output Current (A)	Start Temp. ($^{\circ}F/^{\circ}C$)	Tcase Temp. ($^{\circ}F/^{\circ}C$)	Input Current (A)	Input Power (W)	Inrush Current (A)	THD (%)	Power Factor	Efficiency (%)
Max. 100	48	0.208-2.08	Min. -40/-40	Max. 194/90	0.32@347V	110	Max. 45	Max. 20	Min. 0.9	Typ. 90

Wire Diagram



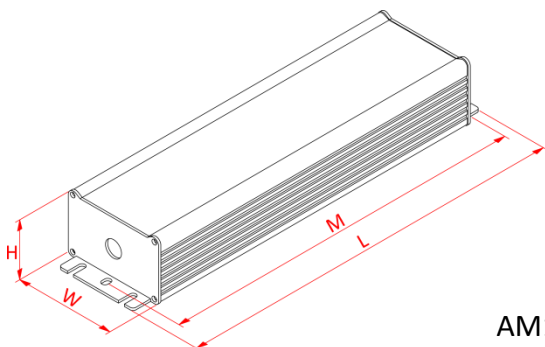
Maximum Wiring Distance (at full load) is 18AWG/18Feet

LED case should be grounded

The driver is suitable for pure LED load only

Lead Length	Inch	Cm
Black	5.9	15
White	5.9	15
Green	5.9	15
Red	5.9	15
Blue	5.9	15
Purple	7.1	18
Gray	7.1	18

Enclosure



AM169

Enclosure	Inch	Cm
Length(L)	9.50	24.1
Width(W)	2.42	6.15
Height(H)	1.54	3.9
Mounting(M)	8.90	22.6