



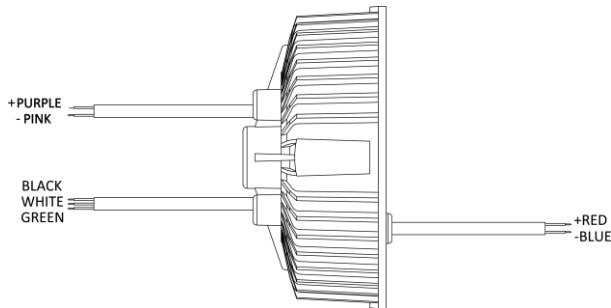
<b>Model Name</b>	UFO-AC6700S240DL
<b>Output Mode</b>	Constant Current
<b>Input Voltage</b>	120-277 Vac
<b>Input Frequency</b>	50/60 Hz
<b>Dimming</b>	3 in 1 (PWM,1-10V,Resistance) 10-100% Dimming
<b>Surge Rating</b>	2KV
<b>Warranty</b>	5 Years $TC \leq 75^{\circ}C$ 3 Years $75^{\circ}C \leq TC \leq 90^{\circ}C$

## Product Specification



Output Power (W)	Output Voltage (V)	Output Current (A)	Start Temp. ( $^{\circ}F/^{\circ}C$ )	Tcase Temp. ( $^{\circ}F/^{\circ}C$ )	Input Current (A)	Input Power (W)	Inrush Current (A)	THD (%)	Power Factor	Efficiency (%)
Max. 240	21-36	6.7	Min. -40/-40	Max. 194/90	2.23@120V 0.96@277V	267	Max. 50	Max. 20	Min. 0.9	Typ. 90

## Wire Diagram

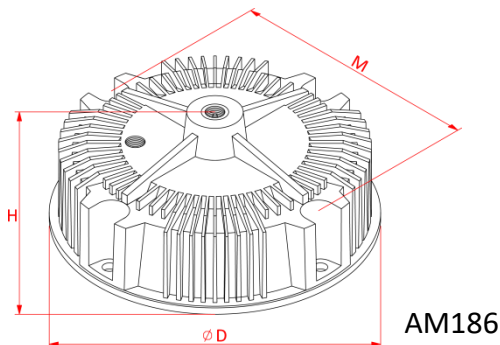


Maximum Wiring Distance (at full load) is 18AWG/18Feet

LED case should be grounded

Lead Length	Inch	Cm
Black	11.8	30
White	11.8	30
Green	11.8	30
Red	7.87	20
Blue	7.87	20
Purple	7.1	18
Pink	7.1	18

## Enclosure



Enclosure	Inch	Cm
Length(L)	7.16	18.2
Width(W)	NA	NA
Height(H)	2.83	7.2
Mounting(M)	6.38	16.2