



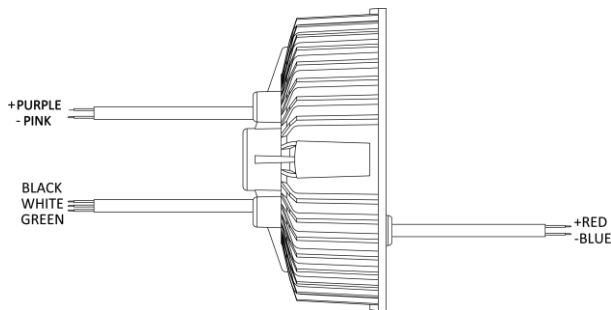
|                        |   |
|------------------------|---|
| <b>Model Name</b>      | UFO-AC4000S240DL  |
| <b>Output Mode</b>     | Constant Current  |
| <b>Input Voltage</b>   | 120-277 Vac   |
| <b>Input Frequency</b> | 50/60 Hz  |
| <b>Dimming</b>         | 3 in 1 (PWM,1-10V,Resistance)<br>10-100% Dimming                                |
| <b>Surge Rating</b>    | 2KV   |
| <b>Warranty</b>        | 5 Years $TC \leq 75^{\circ}C$<br>3 Years $75^{\circ}C \leq TC \leq 90^{\circ}C$ |

## Product Specification



| Output Power (W) | Output Voltage (V) | Output Current (A) | Start Temp. ( $^{\circ}F/^{\circ}C$ ) | Tcase Temp. ( $^{\circ}F/^{\circ}C$ ) | Input Current (A)      | Input Power (W) | Inrush Current (A) | THD (%) | Power Factor | Efficiency (%) |
|------------------|--------------------|--------------------|---------------------------------------|---------------------------------------|------------------------|-----------------|--------------------|---------|--------------|----------------|
| Max. 240         | 36-60              | 4.0                | Min. -40/-40                          | Max. 194/90                           | 2.23@120V<br>0.96@277V | 267             | Max. 50            | Max. 20 | Min. 0.9     | Typ. 90        |

## Wire Diagram

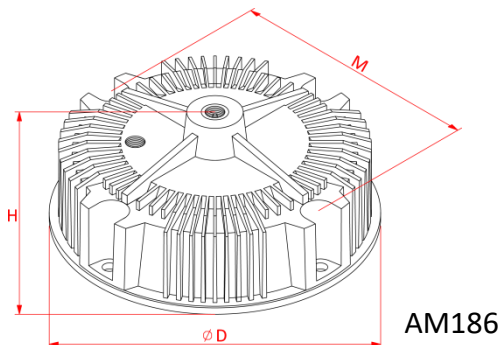


Maximum Wiring Distance (at full load) is 18AWG/18Feet

LED case should be grounded

| Lead Length | Inch | Cm |
|-------------|------|----|
| Black       | 11.8 | 30 |
| White       | 11.8 | 30 |
| Green       | 11.8 | 30 |
| Red         | 7.87 | 20 |
| Blue        | 7.87 | 20 |
| Purple      | 7.1  | 18 |
| Pink        | 7.1  | 18 |

## Enclosure



| Enclosure   | Inch | Cm   |
|-------------|------|------|
| Length(L)   | 7.16 | 18.2 |
| Width(W)    | NA   | NA   |
| Height(H)   | 2.83 | 7.2  |
| Mounting(M) | 6.38 | 16.2 |