



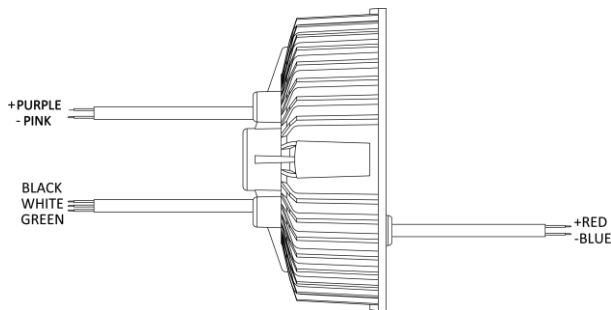
| | |
|------------------------|---|
| Model Name | UFO-3C4000S240DL |
| Output Mode | Constant Current |
| Input Voltage | 347 Vac |
| Input Frequency | 50/60 Hz |
| Dimming | 3 in 1 (PWM,1-10V,Resistance) 10-100% Dimming |
| Surge Rating | 2KV |
| Warranty | 5 Years $TC \leq 75^{\circ}C$ 3 Years $75^{\circ}C \leq TC \leq 90^{\circ}C$ |

Product Specification



| Output Power (W) | Output Voltage (V) | Output Current (A) | Start Temp. ($^{\circ}F/^{\circ}C$) | Tcase Temp. ($^{\circ}F/^{\circ}C$) | Input Current (A) | Input Power (W) | Inrush Current (A) | THD (%) | Power Factor | Efficiency (%) |
|------------------|--------------------|--------------------|---------------------------------------|---------------------------------------|-------------------|-----------------|--------------------|---------|--------------|----------------|
| Max. 240 | 36-60 | 4.0 | Min. -40/-40 | Max. 194/90 | 0.78@347V | 271 | Max. 60 | Max. 20 | Min. 0.9 | Typ. 89 |

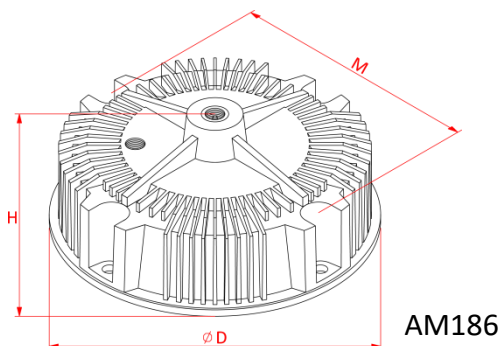
Wire Diagram



Maximum Wiring Distance (at full load) is 18AWG/18Feet
LED case should be grounded

| Lead Length | Inch | Cm |
|-------------|------|----|
| Black | 11.8 | 30 |
| White | 11.8 | 30 |
| Green | 11.8 | 30 |
| Red | 7.87 | 20 |
| Blue | 7.87 | 20 |
| Purple | 7.1 | 18 |
| Pink | 7.1 | 18 |

Enclosure



| Enclosure | Inch | Cm |
|-------------|------|------|
| Length(L) | 7.16 | 18.2 |
| Width(W) | NA | NA |
| Height(H) | 2.83 | 7.2 |
| Mounting(M) | 6.38 | 16.2 |