



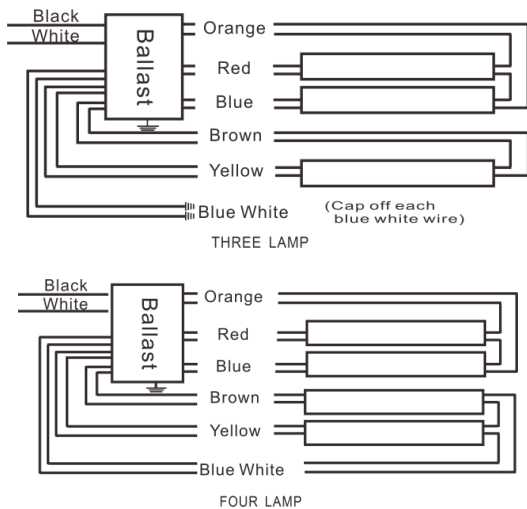
Model Name	ESPQ-A54T5S
Ballast Type	Electronic
Starting Method	Program Start
Lamp connection	Series-Parallel
Input Voltage	120-277V
Input Frequency	50/60Hz
Warranty	5 Years $TC \leq 75^{\circ}C$ 3 Years $75^{\circ}C \leq TC \leq 90^{\circ}C$

Safety & Performance



- Maximum Four lamps
- UL/cUL Listed
- UL Type 1 Outdoor
- FCC part 18 Class A
- Sound Rated Class A
- Class P Thermally Protected
- High Power Factor
- Surge Protected
- Auto Restart
- No PCBs
- Type HL

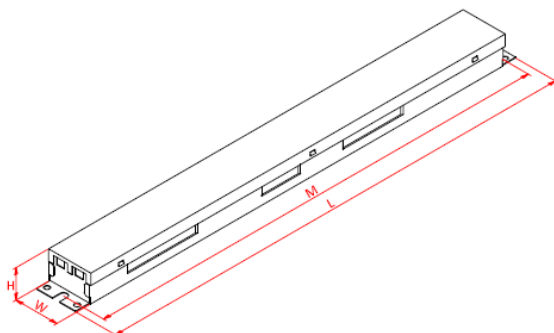
Wire Diagram



Lead Length	Inch	Cm
Black	18.8	48
White	18.8	48
Blue	30	76.2
Red	30	76.2
Yellow	30	76.2
Blue/White	48	121.9
Brown	40	101.6
Orange	56	142.2

Maximum Wiring Distance (at full load) is 18AWG/18Feet
Case must be grounded

Enclosure



AM104

Enclosure	Inch	Cm
Length(L)	17.7	45
Width(W)	1.7	4.3
Height(H)	1.2	3.0
Mounting(M)	17.2	43.8



Electrical Specification with Different Lamps

Lamp Type	No. of Lamps	Input Voltage (V)	Rated Lamp Watts	Start Temp Min. (F/C)	Input Current (Amps)	Input Power (ANSI Watts)	Ballast Factor	THD Max. (%)	Power Factor	Lamp Current Crest Factor Max.	BEF
54W T5	4	120	54	-22/-30	2.00	230	0.98	10	0.99	1.7	0.43
		230			1.02			10	0.99		
		277			0.86			15	0.98		
	3	120			1.48	176	1.00	10	0.99		
		230			0.78			10	0.98		
		277			0.65			15	0.98		
	2	120			0.99	118	0.99	15	0.98		
		230			0.52			15	0.98		
		277			0.43			15	0.97		
	1	120			0.51	60	1.02	15	0.98		
		230			0.27			15	0.98		
		277			0.22			20	0.97		
54W T5/ES (49W)	4	120	49	-22/-30	1.78	212	0.98	10	0.99	1.7	0.46
		230			0.94			10	0.99		
		277			0.78			15	0.98		
	3	120			1.42	169	1.00	10	0.99		
		230			0.75			10	0.98		
		277			0.62			15	0.98		
	2	120			0.95	113	0.99	15	0.98		
		230			0.50			15	0.98		
		277			0.42			15	0.97		
	1	120			0.49	58	1.02	15	0.98		
		230			0.26			15	0.98		
		277			0.21			20	0.97		
39W T5	4	120	39	-22/-30	1.43	170	1.00	10	0.99	1.7	0.59
		230			0.75			10	0.99		
		277			0.63			15	0.98		
55W PLL	4	120	55	-22/-30	1.67	198	0.88	10	0.99	1.7	0.44
		230			0.88			10	0.99		
		277			0.73			15	0.98		
	3	120			1.28	153	0.90	10	0.99		
		230			0.68			15	0.98		
		277			0.56			15	0.98		
	2	120			0.86	102	0.92	15	0.98		
		230			0.45			15	0.98		
		277			0.38			15	0.97		
	1	120			0.47	56	0.95	15	0.98		
		230			0.25			15	0.98		
		277			0.21			20	0.97		



Electrical Specification with Different Lamps

Lamp Type	No. of Lamps	Input Voltage (V)	Rated Lamp Watts	Start Temp Min. (F/C)	Input Current (Amps)	Input Power (ANSI Watts)	Ballast Factor	THD Max. (%)	Power Factor	Lamp Current Crest Factor Max.	BEF
50W PLL	4	120	50	-22/-30	1.89	224	1.08	10	0.99	1.7	0.48
		230			0.99			10	0.99		
		277			0.83			15	0.98		
	3	120			1.42	169	1.08	10	0.99		
		230			0.75			10	0.98		
		277			0.72			15	0.98		
	2	120			0.87	103	1.10	15	0.98		
		230			0.46			15	0.98		
		277			0.38			15	0.97		
	1	120			0.46	55	1.10	15	0.98		
		230			0.24			15	0.98		
		277			0.20			20	0.97		