



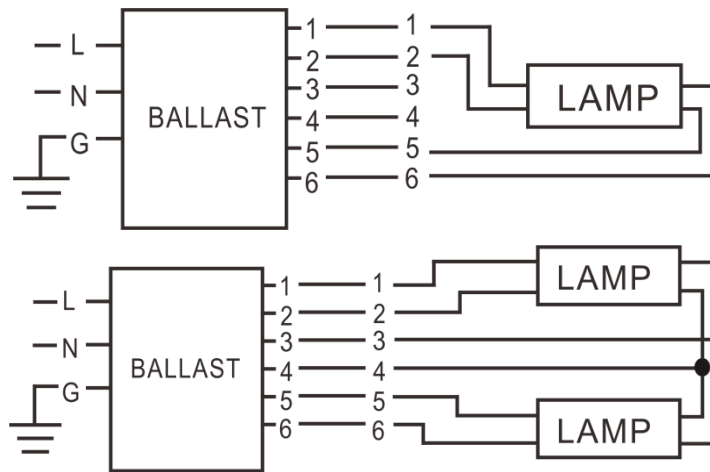
Model Name	ESD-A21T5S
Ballast Type	Electronic
Starting Method	Program Start
Lamp connection	Series
Input Voltage	120-277V
Input Frequency	50/60Hz
Warranty	5 Years $TC \leq 75^{\circ}C$ 3 Years $75^{\circ}C \leq TC \leq 90^{\circ}C$

Safety & Performance



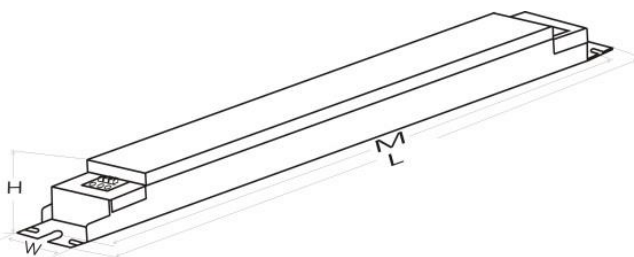
- One or Two lamps
- UL/cUL Listed
- UL Type 1 Outdoor
- FCC part 18 Class A
- Sound Rated Class A
- Class P Thermally Protected
- High Power Factor
- Surge Protected
- Auto Restart
- No PCBs
- Type HL

Wire Diagram



Maximum Wiring Distance (at full load) is 18AWG/18Feet
Case must be grounded

Enclosure



Enclosure	Inch	Cm
Length(L)	11.5	29.2
Width(W)	1.34	3.4
Height(H)	1.06	2.7
Mounting(M)	11.14	28.3

AM34



Electrical Specification with Different Lamps

Lamp Type	No. of Lamps	Input Voltage (V)	Rated Lamp Watts	Start Temp Min. (F/C)	Input Current (Amps)	Input Power (ANSI Watts)	Ballast Factor	THD Max. (%)	Power Factor	Lamp Current Crest Factor Max.	BEF
21W T5	2	120	21	-22/-30	0.4	47	0.93	10	0.99	1.7	1.98
		230			0.2			10	0.99		
		277			0.17			10	0.99		
	1	120			0.2	24	0.98	10	0.99		4.08
		230			0.1			15	0.99		
		277			0.09			20	0.97		
14W T5	2	120	14	-22/-30	0.28	34	0.93	10	0.99	1.7	2.74
		230			0.15			10	0.99		
		277			0.13			15	0.99		
	1	120			0.15	17	0.97	10	0.99		5.71
		230			0.08			15	0.99		
		277			0.07			20	0.95		