



<b>Model Name</b>	PAC1250S30DL
<b>Output Model</b>	Constant Current
<b>Input Voltage</b>	120-277 Vac
<b>Input Frequency</b>	50/60 Hz
<b>Dimming</b>	3 in 1 ( PWM, 1-10V, Resistance) Dim to 1%, 10%, OFF
<b>Surge Rating</b>	2KV
<b>Warranty</b>	5 Years $TC \leq 75^{\circ}C$ 3 Years $75^{\circ}C \leq TC \leq 90^{\circ}C$

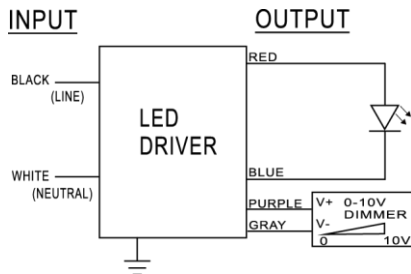
## Product Specification



**ClassP Class2**

Output Power (W)	Output Voltage (V)	Output Current (A)	Start Temp. (°F/°C)	Tcase Temp. (°F/°C)	Input Current (A)	Input Power (W)	Inrush Current (A)	THD (%)	Power Factor	Efficiency (%)
Max. 30	15-55	0.35-1.25	Min 32/0	Max. 194/90	0.3@120V 0.13@277V	37	Max. 35	Max. 20	Min. 0.9	Typ. 81

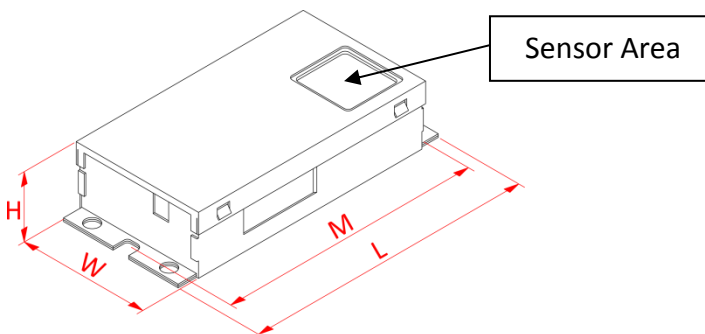
## Wire Diagram



Maximum Wiring Distance (at full load) is 18AWG/18Feet  
LED case should be grounded

Lead Length	Inch	Cm
Black	5.9	15
White	5.9	15
Green	NA	NA
Red	5.9	15
Blue	5.9	15
Purple	7.1	18
Gray	7.1	18

## Enclosure



AM111

Enclosure	Inch	Cm
Length(L)	5.23	13.3
Width(W)	2.48	6.3
Height(H)	1.18	3
Mounting(M)	4.84	12.3

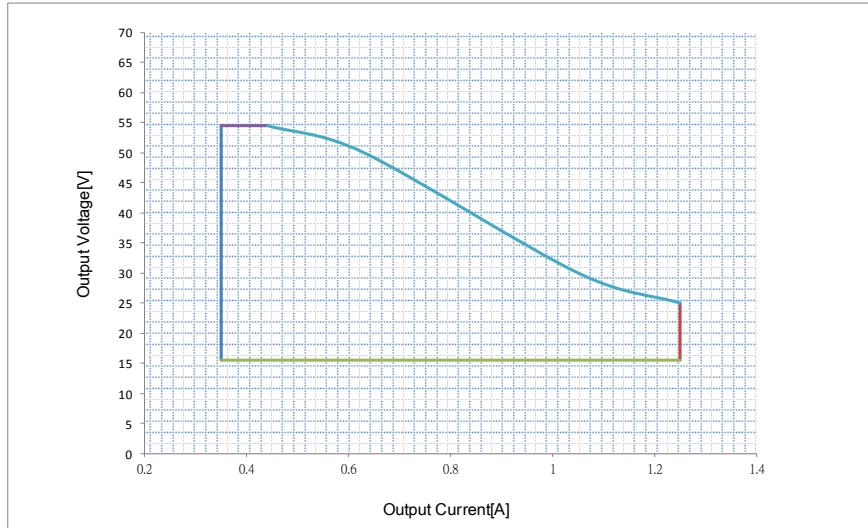


## Programmable Tool

- Put the programmable wand above the NFC mark of the driver to start programming
- Download the software from [www.antron.com.tw](http://www.antron.com.tw)



## I<sub>out</sub> vs V<sub>out</sub> Curve



## Output Current Code List

Output Current Code List

Current Value (mA)	Correspond Iout Code				Current Value (mA)	Correspond Iout Code			
	Location					Location			
	0	1	2	3		0	1	2	3
350	22	01	00	02	850	CD	02	00	02
400	4D	01	00	02	900	00	03	00	02
450	73	01	00	02	950	2B	03	00	02
500	A2	01	00	02	1000	5C	03	00	02
550	CA	01	00	02	1050	84	03	00	02
600	F2	01	00	02	1100	B6	03	00	02
650	1F	02	00	02	1150	E0	03	00	02
700	4B	02	00	02	1200	1A	04	00	02
750	76	02	00	02	1250	4C	04	00	02
800	A5	02	00	02					

Note: For drivers containing Revision C of their firmware (contact factory for date code of implementation), it is also possible to adjust the minimum dimming level and the dimming speed by programming the location 2.



## Programmable Driver Options (App Note)

All programmable drivers accept a 16-bit hexadecimal code to program the output current (Iout) of the driver. The Iout programming codes are documented in the computer based-programming software (ST-TOOLS.exe) or from the driver's IOUTCODE.pdf file. The Locations below 0, 1, 2, 3 contain the basic code for a specific output current value (example 84 03 00 01 = 1050 mA for PAC1400S50D).

Location	0	1	2	3	
Value	00	00	00	00	

For drivers containing Revision C of their firmware (contact factory for date code of implementation), it is also possible to adjust the minimum dimming level and the dimming speed. This adjustment is made by modifying location 2 of the programming code while keeping the other locations set for the desired output current. Specifically, the location 3 values are defined as:

- 00 => Dim to 1%, Speed  $\leq$  1.0 sec
- 01 => Dim-to-OFF, Speed  $\leq$  1.0 sec
- 02 => Dim to 10%, Speed  $\leq$  1.0 sec
- 03 => Dim to 1%, Speed  $\geq$  2.5 sec
- 04 => Dim-to-OFF, Speed  $\geq$  2.5 sec
- 05 => Dim to 10%, Speed  $\geq$  2.5 sec

As an example, if the programming code value of 84 03 00 01 is programmed, the output current will be 1050 mA, and the driver will dim to 1% and the dimming speed will be  $\leq$  1.0 sec. If the programming code of 84 03 04 01 is programmed, the output current will be 1050 mA, and the driver will dim to off and the dimming speed will be  $\geq$  2.5 sec.

Data is based upon tests performed by Antron Electronics in a controlled environment and representative performance. Actual performance can vary depending on operating conditions. Specifications are subject to change without notice. All specifications are nominal unless otherwise noted.