



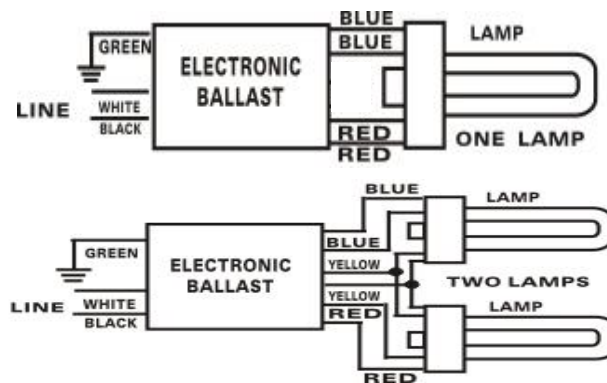
Model Name	CSD-UV42P/BMUV
Ballast Type	Electronic
Starting Method	Program Start
Lamp connection	Series
Input Voltage	120-277V
Input Frequency	50/60Hz
Warranty	5 Years $TC \leq 75^{\circ}C$ 3 Years $75^{\circ}C \leq TC \leq 90^{\circ}C$

Safety & Performance



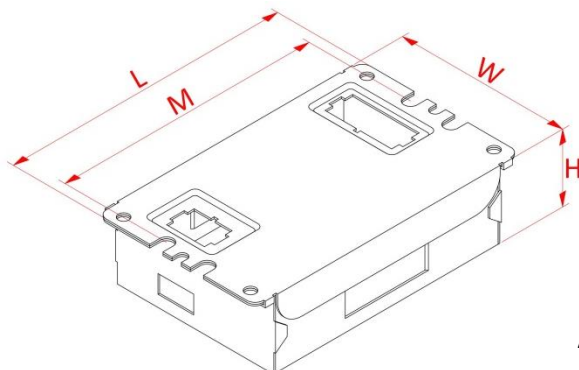
- One or Two lamps
- UL/cUL Listed
- UL Type 1 Outdoor
- Meets ICES-005 Class B (at 120-240V)
- EOL protection
- Sound Rated Class A
- Class P Thermally Protected
- High Power Factor
- FCC part 18 Class B (at 120-240V)
- Auto Restart
- No PCBs
- Type HL
- Surge Protected

Wire Diagram



Maximum Wiring Distance (at full load) is 18AWG/18Feet
Case must be grounded

Enclosure



AM54

Enclosure	Inch	Cm
Length(L)	5	12.7
Width(W)	3	7.7
Height(H)	1.34	3.4
Mounting(M)	4.6	11.7



Electrical Specification with Different Lamps

Lamp Type	No. of Lamps	Input Voltage (V)	Rated Lamp Watts	Start Temp Min. (F/C)	Input Current (Amps)	Input Power (ANSI Watts)	Lamp Current (A)	THD Max. (%)	Power Factor	Lamp Current Crest Factor Max.
SANUVOX LMPRGX J105	2	120	30	32/0	0.69	82	0.807	10	0.99	1.7
		230			0.35			10	0.99	
		277			0.29			10	0.98	
	1	120			0.38	45.4	0.86	10	0.98	
		230			0.20			10	0.98	
		277			0.17			15	0.97	
TUV 36T5HO 4P/SE	1	120	75	32/0	0.60	71	0.84	10	0.99	1.7
		230			0.30			10	0.99	
		277			0.26			10	0.98	
14-00047- 001R	1	120	40	32/0	0.38	45	0.84	10	0.98	1.7
		230			0.2			10	0.98	
		277			0.17			15	0.97	