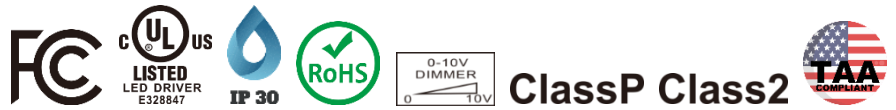




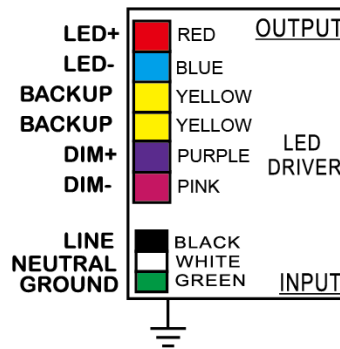
<b>Model Name</b>	3C1500S60DL
<b>Output Mode</b>	Constant Current
<b>Input Voltage</b>	347 Vac
<b>Input Frequency</b>	50/60 Hz
<b>Dimming</b>	3 in 1 (PWM,1-10V,Resistance) 1-100% Dimming
<b>Surge Rating</b>	2KV
<b>Warranty</b>	5 Years $TC \leq 75^{\circ}C$ 3 Years $75^{\circ}C \leq TC \leq 90^{\circ}C$

## Product Specification



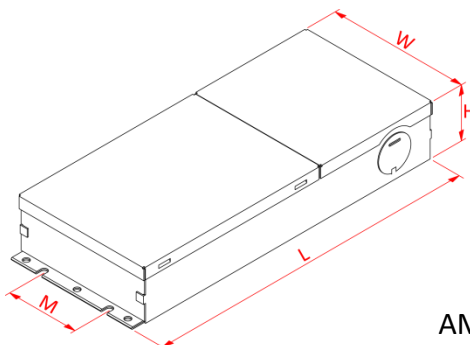
Output Power (W)	Output Voltage (V)	Output Current (A)	Start Temp. ( $^{\circ}F/^{\circ}C$ )	Tcase Temp. ( $^{\circ}F/^{\circ}C$ )	Input Current (A)	Input Power (W)	Inrush Current (A)	THD (%)	Power Factor	Efficiency (%)
Max. 60	25-42	1.5	Min. -40/-40	Max. 194/90	0.2@347V	69	Max. 35	Max. 20	Min. 0.9	Typ. 87

## Wire Diagram



Maximum Wiring Distance (at full load) is 18AWG/18Feet  
LED case should be grounded

## Enclosure



AM175

Enclosure	Inch	Cm
Length(L)	8.11	20.6
Width(W)	3.4	8.7
Height(H)	1.36	3.45
Mounting(M)	1.77	4.5