



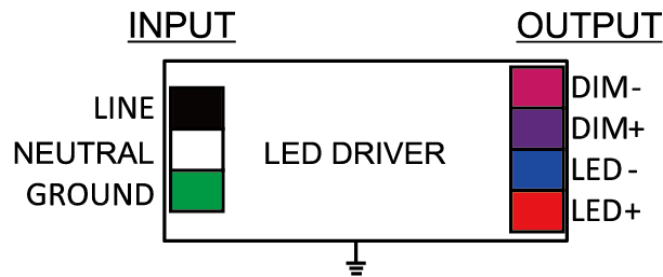
<b>Model Name</b>	AV48S60DJ
<b>Output Model</b>	Constant Voltage
<b>Input Voltage</b>	120-277 Vac
<b>Input Frequency</b>	50/60 Hz
<b>Dimming</b>	3 in 1 ( PWM, 1-10V, Resistance) Dimming: 10-100%
<b>Surge Rating</b>	2KV
<b>Warranty</b>	5 Years $TC \leq 75^{\circ}C$ 3 Years $75^{\circ}C \leq TC \leq 90^{\circ}C$

## Product Specification



Output Power (W)	Output Voltage (V)	Output Current (A)	Start Temp. (°F/°C)	Tcase Temp. (°F/°C)	Input Current (A)	Input Power (W)	Inrush Current (A)	THD (%)	Power Factor	Efficiency (%)
Max. 60	48	0.125-1.25	Min -40/-40	Max. 194/90	0.6@120V 0.26@277V	68	Max. 30	Max. 20	Min. 0.9	Typ. 88

## Wire Diagram

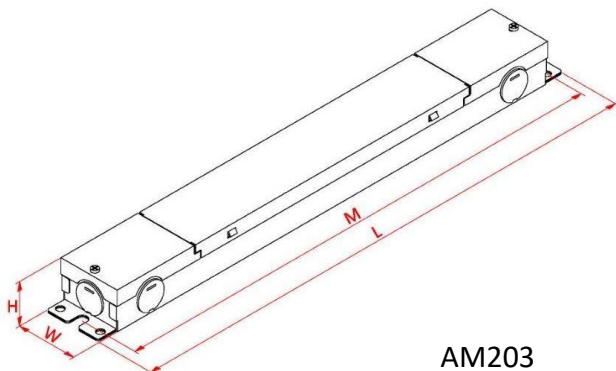


Maximum Wiring Distance (at full load) is 18AWG/18Feet

LED case should be grounded

The driver is suitable for pure LED load only

## Enclosure



AM203

Enclosure	Inch	Cm
Length(L)	14.2	36.1
Width(W)	1.7	4.3
Height(H)	1.2	3.05
Mounting(M)	13.7	34.8