



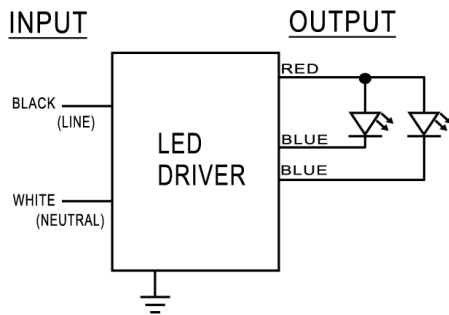
Model Name	AC350D18
Output Mode	Constant Current
Input Voltage	120-277 Vac
Input Frequency	50/60 Hz
Dimming	NA
Surge Rating	2KV
Warranty	5 Years $TC \leq 75^{\circ}C$ 3 Years $75^{\circ}C \leq TC \leq 90^{\circ}C$

Product Specification



Output Power (W)	Output Power Per Channel (W)	Output Voltage (V)	Output Current (A)	Start Temp. ($^{\circ}F/^{\circ}C$)	Tcase Temp. ($^{\circ}F/^{\circ}C$)	Input Current (A)	Input Power (W)	Inrush Current (A)	THD (%)	Power Factor	Efficiency (%)
Max. 36	18	31-51	0.35	Min -40/-40	Max. 194/90	0.34@120V 0.17@277V	18	Max. 30	Max. 20	Min. 0.9	Typ. 85

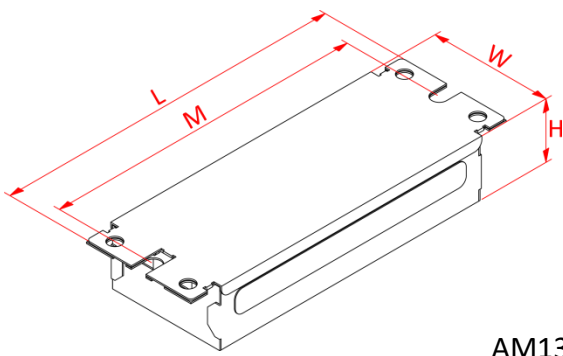
Wire Diagram



Maximum Wiring Distance (at full load) is 18AWG/18Feet
LED case should be grounded

Lead Length	Inch	Cm
Black	6	15.2
White	6	15.2
Green	NA	NA
Red	6	15.2
Blue	6	15.2

Enclosure



AM13

Enclosure	Inch	Cm
Length(L)	6.77	17.2
Width(W)	2.4	6.1
Height(H)	1.22	3.1
Mounting(M)	4.84	12.3