



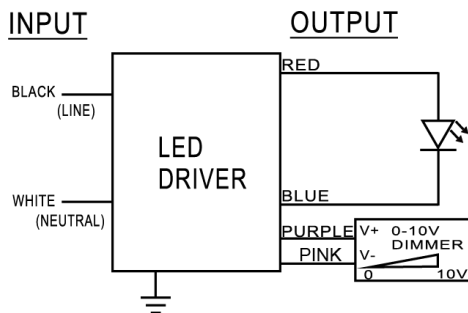
<b>Model Name</b>	AC2800S72D-D3
<b>Output Mode</b>	Constant Current
<b>Input Voltage</b>	120-277 Vac
<b>Input Frequency</b>	50/60 Hz
<b>Dimming</b>	3 in 1 (PWM,1-10V,Resistance) 1-100% Dimming
<b>Surge Rating</b>	2KV
<b>Warranty</b>	5 Years $TC \leq 75^{\circ}C$ 3 Years $75^{\circ}C \leq TC \leq 90^{\circ}C$

## Product Specification



Output Power (W)	Output Voltage (V)	Output Current (A)	Start Temp. ( $^{\circ}F/^{\circ}C$ )	Tcase Temp. ( $^{\circ}F/^{\circ}C$ )	Input Current (A)	Input Power (W)	Inrush Current (A)	THD (%)	Power Factor	Efficiency (%)
Max. 72	16-26	2.8	Min. -40/-40	Max. 194/90	0.68@120V 0.3@277V	82	Max. 35A	Max. 20	Min. 0.9	Typ. 88
65	16-26	2.5	-40/-40	194/90	0.63@120V 0.27@277V	76	35A	20	0.9	86
46	16-26	1.8	-40/-40	194/90	0.45@120V 0.2@277V	54	35A	20	0.9	85

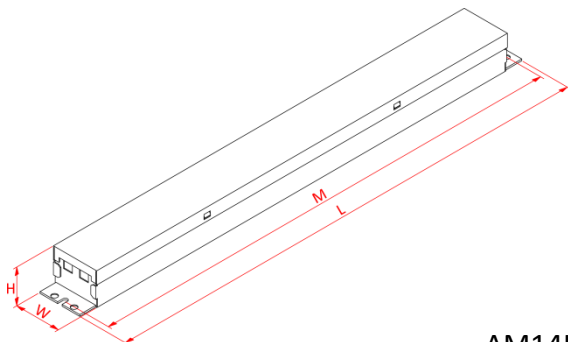
## Wire Diagram



Maximum wiring distance (at full load) is 18AWG/18Feet  
LED case should be grounded

Lead Length	Inch	Cm
Black	6	15.2
White	6	15.2
Green	NA	NA
Red	6	15.2
Blue	6	15.2
Purple	7.1	18
Pink	7.1	18

## Enclosure



AM14L

Enclosure	Inch	Cm
Length(L)	15.55	39.5
Width(W)	1.5	3.8
Height(H)	1.12	2.85
Mounting(M)	15.24	38.7