



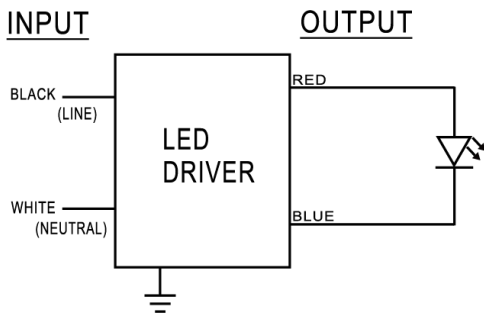
Model Name	AC1050S12M
Output Model	Constant Current
Input Voltage	120-277 Vac
Input Frequency	50/60 Hz
Dimming	NA
Surge Rating	2KV
Warranty	5 Years $TC \leq 75^{\circ}C$ 3 Years $75^{\circ}C \leq TC \leq 90^{\circ}C$

Product Specification



Output Power (W)	Output Voltage (V)	Output Current (A)	Start Temp. ($^{\circ}F/^{\circ}C$)	Tcase Temp. ($^{\circ}F/^{\circ}C$)	Input Current (A)	Input Power (W)	Inrush Current (A)	THD (%)	Power Factor	Efficiency (%)
Max. 12	7-11	1.05	Min -40/-40	Max. 194/90	0.12@120V 0.06@277V	14	Max. 20	Max. 20	Min. 0.9	Typ. 82

Wire Diagram

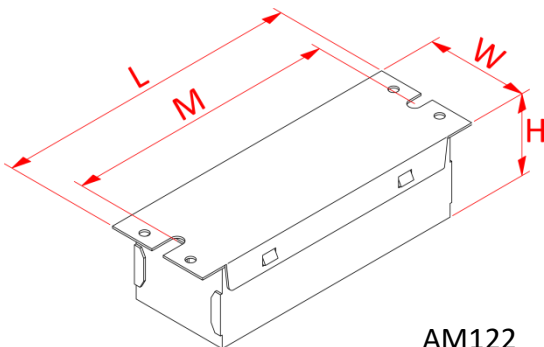


Maximum Wiring Distance (at full load) is 18AWG/18Feet

LED case should be grounded

Lead Length	Inch	Cm
Black	5.9	15
White	5.9	15
Green	NA	NA
Red	5.9	15
Blue	5.9	15
Purple	NA	NA
Pink	NA	NA

Enclosure



AM122

Enclosure	Inch	Cm
Length(L)	4.21	10.7
Width(W)	1.42	3.6
Height(H)	1.14	2.9
Mounting(M)	3.9	9.9