



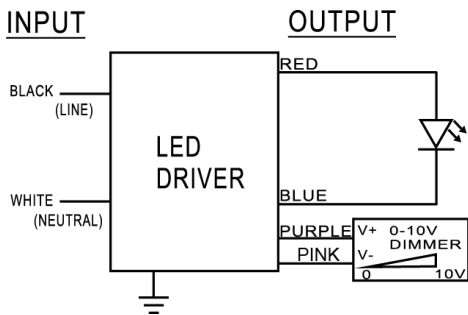
Model Name	3V24S60D
Output Mode	Constant Voltage
Input Voltage	347 Vac
Input Frequency	50/60 Hz
Dimming	3 in 1 (PWM, 1-10V, Resistance) Dimming: 10-100%
Surge Rating	2KV
Warranty	5 Years $TC \leq 75^{\circ}C$ 3 Years $75^{\circ}C \leq TC \leq 90^{\circ}C$

Product Specification



Output Power (W)	Output Voltage (V)	Output Current (A)	Start Temp. (°F/°C)	Tcase Temp. (°F/°C)	Input Current (A)	Input Power (W)	Inrush Current (A)	THD (%)	Power Factor	Efficiency (%)
Max. 60	24	0.25-2.5	Min -40/-40	Max. 194/90	0.2@347V	71	Max. 35	Max. 20	Min. 0.9	Typ. 88

Wire Diagram



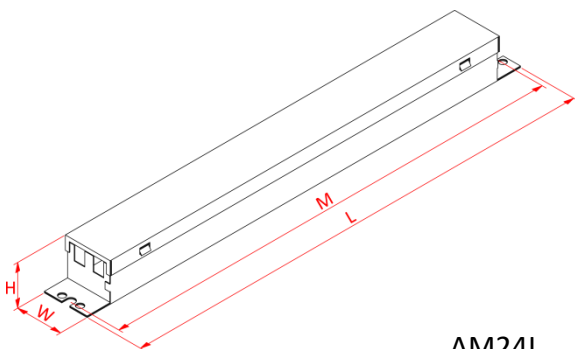
Maximum Wiring Distance (at full load) is 18AWG/18Feet

LED case should be grounded

The driver is suitable for pure LED load only

Lead Length	Inch	Cm
Black	6	15.2
White	6	15.2
Green	NA	NA
Red	6	15.2
Blue	6	15.2
Purple	7.1	18
Pink	7.1	18

Enclosure



AM24L

Enclosure	Inch	Cm
Length(L)	12.8	32.5
Width(W)	1.34	3.4
Height(H)	1.14	2.9
Mounting(M)	12.5	31.7