



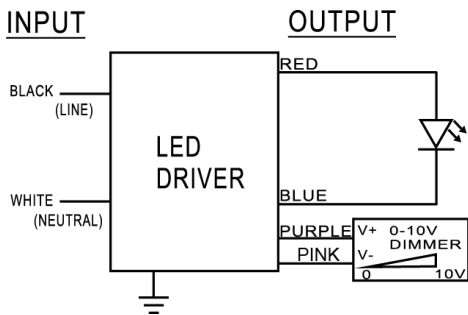
| | |
|------------------------|---|
| Model Name | 3V12S60D |
| Output Mode | Constant Voltage |
| Input Voltage | 347 Vac |
| Input Frequency | 50/60 Hz |
| Dimming | 3 in 1 (PWM, 1-10V, Resistance) Dimming: 10-100% |
| Surge Rating | 2KV |
| Warranty | 5 Years $TC \leq 75^{\circ}C$ 3 Years $75^{\circ}C \leq TC \leq 90^{\circ}C$ |

Product Specification



| Output Power (W) | Output Voltage (V) | Output Current (A) | Start Temp. (°F/°C) | Tcase Temp. (°F/°C) | Input Current (A) | Input Power (W) | Inrush Current (A) | THD (%) | Power Factor | Efficiency (%) |
|------------------|--------------------|--------------------|---------------------|---------------------|-------------------|-----------------|--------------------|---------|--------------|----------------|
| Max. 60 | 12 | 0.5-5.0 | Min -40/-40 | Max. 194/90 | 0.2@347V | 69 | Max. 35 | Max. 20 | Min. 0.9 | Typ. 87 |

Wire Diagram



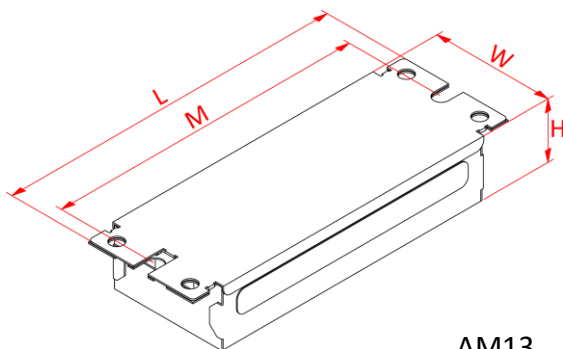
Maximum Wiring Distance (at full load) is 18AWG/18Feet

LED case should be grounded

The driver is suitable for pure LED load only

| Lead Length | Inch | Cm |
|-------------|------|------|
| Black | 6 | 15.2 |
| White | 6 | 15.2 |
| Green | NA | NA |
| Red | 6 | 15.2 |
| Blue | 6 | 15.2 |
| Purple | 7.1 | 18 |
| Pink | 7.1 | 18 |

Enclosure



AM13

| Enclosure | Inch | Cm |
|-------------|------|------|
| Length(L) | 6.7 | 17.2 |
| Width(W) | 2.4 | 6.1 |
| Height(H) | 1.22 | 3.1 |
| Mounting(M) | 6.2 | 15.8 |