



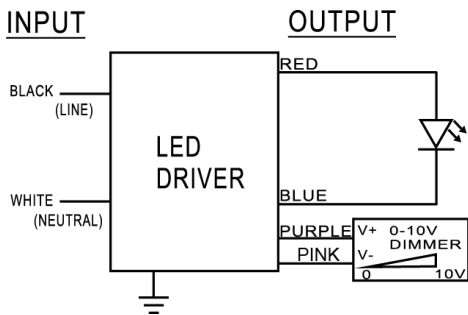
|                        |   |
|------------------------|---|
| <b>Model Name</b>      | AV12S60D  |
| <b>Output Mode</b>     | Constant Voltage  |
| <b>Input Voltage</b>   | 120-277 Vac   |
| <b>Input Frequency</b> | 50/60 Hz  |
| <b>Dimming</b>         | 3 in 1 ( PWM, 1-10V, Resistance)<br>Dimming: 10-100%                            |
| <b>Surge Rating</b>    | 2KV   |
| <b>Warranty</b>        | 5 Years $TC \leq 75^{\circ}C$<br>3 Years $75^{\circ}C \leq TC \leq 90^{\circ}C$ |

## Product Specification



| Output Power (W) | Output Voltage (V) | Output Current (A) | Start Temp. (°F/°C) | Tcase Temp. (°F/°C) | Input Current (A)     | Input Power (W) | Inrush Current (A) | THD (%) | Power Factor | Efficiency (%) |
|------------------|--------------------|--------------------|---------------------|---------------------|-----------------------|-----------------|--------------------|---------|--------------|----------------|
| Max. 60          | 12                 | 0.5-5.0            | Min. -40/-40        | Max. 194/90         | 0.6@120V<br>0.26@277V | 70              | Max. 30            | Max. 20 | Min. 0.9     | Typ. 85        |

## Wire Diagram



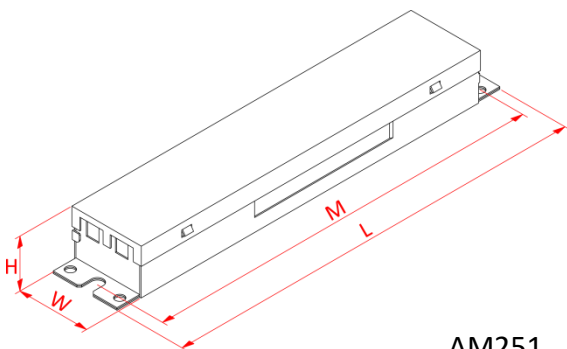
Maximum Wiring Distance (at full load) is 18AWG/18Feet

LED case should be grounded

The driver is suitable for pure LED load only

| Lead Length | Inch | Cm   |
|-------------|------|------|
| Black       | 6    | 15.2 |
| White       | 6    | 15.2 |
| Green       | NA   | NA   |
| Red         | 6    | 15.2 |
| Blue        | 6    | 15.2 |
| Purple      | 7.1  | 18   |
| Pink        | 7.1  | 18   |

## Enclosure



AM251

| Enclosure   | Inch | Cm   |
|-------------|------|------|
| Length(L)   | 9.5  | 24.1 |
| Width(W)    | 1.7  | 4.3  |
| Height(H)   | 1.16 | 2.95 |
| Mounting(M) | 8.9  | 22.6 |