



# Constant Power Emergency LED Pack



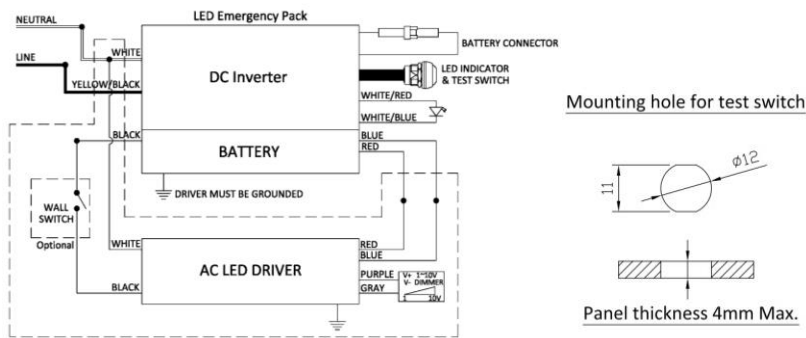
<b>Model Name</b>	EMLEDS20-1555-9.6CHP-FT
<b>Output Model</b>	Constant Power
<b>Input Voltage</b>	120-277 Vac
<b>Input Frequency</b>	50/60 Hz
<b>Dimming</b>	N/A
<b>Surge Rating</b>	3KV
<b>Warranty</b>	5 Years TC $\leq 60^{\circ}\text{C}$ 3 Years TC $\leq 70^{\circ}\text{C}$

## Product Specification



Output Power (W)	Output Voltage (V)	Output Current (mA)	Operating Duration Time	Operating Temp. ( $^{\circ}\text{C}$ )	Battery Voltage (V)	Battery Charge Current (mA)	Battery Charge Time	Input Power	Input Current (mA)
Typ. 20	15-55	1330-363	Min. 90min	0-55	9.6	Max. 210	Min. 48Hrs	Max. 5	Max. 70

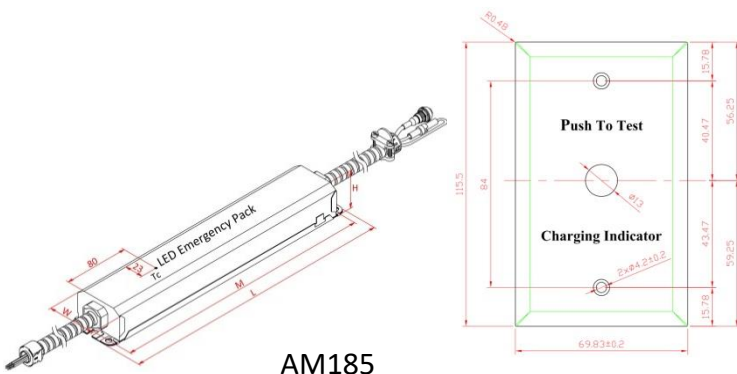
## Wire Diagram



Maximum Wiring Distance (at full load) is 18AWG/18Feet

## Enclosure

Lead Length	Inch	Cm
Black	30.7	78
White	30.7	78
Yellow/Black	30.7	78
White/Red	30.7	78
White/Blue	30.7	78
Red	30.7	78
Blue	30.7	78
Battery Connector	33.07	84
Test Switch	25	63.5
LED Indicator	6	15.24



AM185

Enclosure	Inch	Cm
Length(L)	13.3	33.8
Width(W)	2.44	6.2
Height(H)	1.49	3.8
Mounting(M)	12.68	32.2