



Antron Electronics Co.,LTD  
安雄電子股份有限公司

# Constant Current Emergency LED Pack



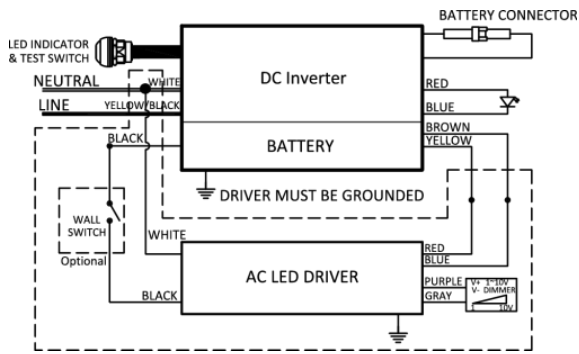
<b>Model Name</b>	EMLEDS8-80130-6.4CHXL
<b>Output Model</b>	Constant Current
<b>Input Voltage</b>	120-277 Vac
<b>Input Frequency</b>	50/60 Hz
<b>Dimming</b>	N/A
<b>Surge Rating</b>	3KV
<b>Warranty</b>	5 Years TC $\leq$ 60°C 3 Years TC $\leq$ 66°C

## Product Specification



Output Power (W)	Output Voltage (V)	Output Current (mA)	Operating Duration Time	Operating Temp. (C)	Battery Voltage (V)	Battery Charge Current (mA)	Battery Charge Time	Input Power	Input Current (mA)
Max. 8	80-130	60	Min. 90min	0-55	6.4	Max. 185	Min. 24Hrs	Max. 4	Max. 60

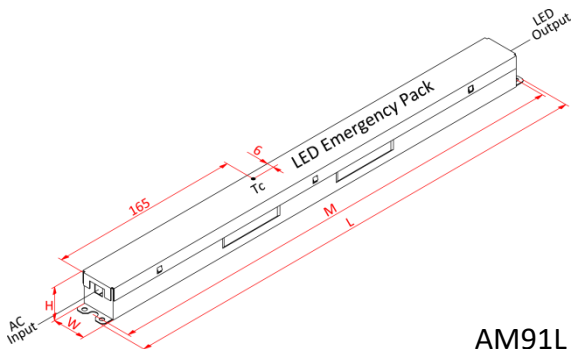
## Wire Diagram



Maximum Wiring Distance (at full load) is 18AWG/18Feet

Lead Length	Inch	Cm
Black	24	61
White	24	61
Yellow/Black	24	61
Red	24	61
Blue	24	61
Yellow	32.28	82
Brown	32.28	82
Battery Connector	33.07	84
Test Switch	25	63.5
LED Indicator	6	15.24

## Enclosure



AM91L

Enclosure	Inch	Cm
Length(L)	16.53	42
Width(W)	1.21	3.08
Height(H)	1.1	2.8
Mounting(M)	16.25	41.3