



Antron Electronics Co.,LTD
安雄電子股份有限公司

Constant Current Emergency LED Pack



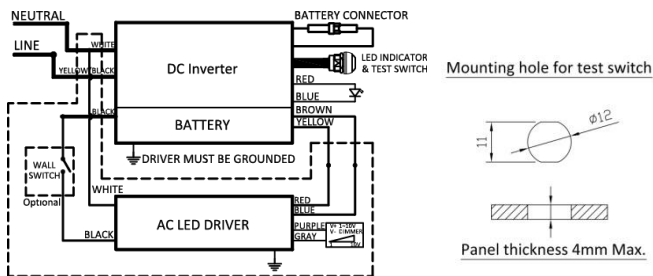
Model Name	MEMLEDS28-80130-9.6CHX-FT
Output Model	Constant Current
Input Voltage	120-347 Vac
Input Frequency	50/60 Hz
Dimming	N/A
Surge Rating	3KV
Warranty	5 Years TC $\leq 60^{\circ}\text{C}$ 3 Years TC $\leq 70^{\circ}\text{C}$

Product Specification



Output Power (W)	Output Voltage (V)	Output Current (mA)	Operating Duration Time	Operating Temp. ($^{\circ}\text{C}$)	Battery Voltage (V)	Battery Charge Current (mA)	Battery Charge Time	Input Power	Input Current (mA)
Max. 28.6	80-130	220	Min. 90min	0-55	9.6	Max. 210	Max. 48Hrs	Max. 5	Max. 70

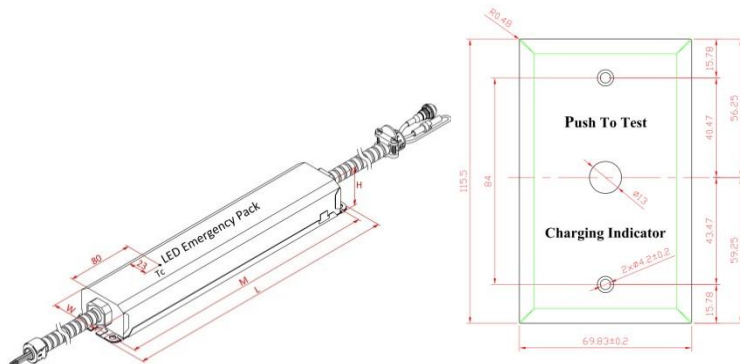
Wire Diagram



Maximum Wiring Distance (at full load) is 18AWG/18Feet

Enclosure

Lead Length	Inch	Cm
Black	30.7	78
White	30.7	78
Yellow/Black	30.7	78
Red	30.7	78
Blue	30.7	78
Yellow	30.7	78
Brown	30.7	78
Battery	33.07	84
Test Switch	25	63.5
LED Indicator	6	15.24



AM185

Enclosure	Inch	Cm
Length(L)	13.3	33.8
Width(W)	2.44	6.2
Height(H)	1.49	3.8
Mounting(M)	12.68	32.2