



| | |
|------------------------|---|
| Model Name | CSS-355DS |
| Ballast Type | Electronic |
| Starting Method | Program Start |
| Lamp connection | Series |
| Input Voltage | 347V |
| Input Frequency | 60Hz |
| Warranty | 5 Years $TC \leq 75^{\circ}C$ 3 Years $75^{\circ}C \leq TC \leq 90^{\circ}C$ |

Safety & Performance

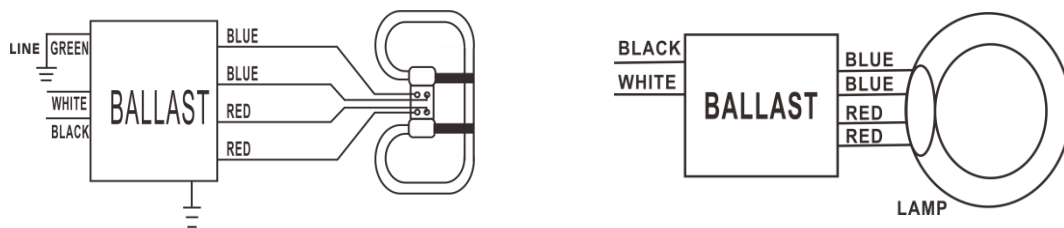


- One lamp
 - UL/cUL Listed
 - UL Type 1 Outdoor
 - FCC part 18 Class A
- Sound Rated Class A
 - Class P Thermally Protected
 - High Power Factor
 - Surge Protected
- Auto Restart
 - No PCBs
 - Type HL

Electrical Specification with Different Lamps

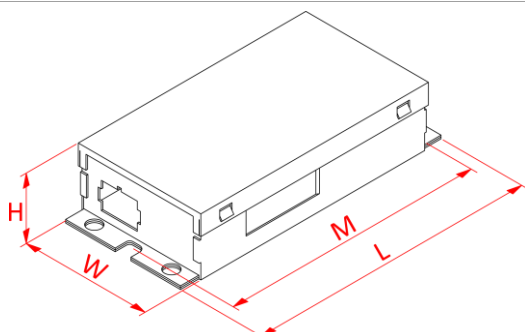
| Lamp Type | No. of Lamps | Input Voltage (V) | Rated Lamp Watts | Start Temp Min. (F/C) | Input Current (Amps) | Input Power (ANSI Watts) | Ballast Factor | THD Max. (%) | Power Factor | Lamp Current Crest Factor Max. | BEF |
|-----------|--------------|-------------------|------------------|-----------------------|----------------------|--------------------------|----------------|--------------|--------------|--------------------------------|------|
| 2D 55W | 1 | 347 | 55 | -22/-30 | 0.16 | 55 | 0.85 | 15 | 0.98 | 1.7 | 1.55 |
| 55W CL | 1 | 347 | 55 | -22/-30 | 0.16 | 56 | 0.9 | 15 | 0.98 | 1.7 | 1.61 |

Wire Diagram



Maximum Wiring Distance (at full load) is 18AWG/18Feet
Case must be grounded

Enclosure



AM111

| Enclosure | Inch | Cm |
|-------------|------|------|
| Length(L) | 5.36 | 13.3 |
| Width(W) | 2.48 | 6.3 |
| Height(H) | 1.18 | 3 |
| Mounting(M) | 4.8 | 12.3 |